



Utility Series

wash troughs and cleaners sinks

the utility series from Allproof is a range of utility troughs and sinks designed to be functional and economical. Conforming to all applicable New Zealand standards, the sinks are available in a variety of widths and depths, and come standard with a 50mm outlet.

Benefits

- All 316 Stainless Steel construction
- Compliant to AUS/NZ Standards
- Supplied with SS Brackets
- Bucket Grid Available
- Kitchens
- Bathrooms
- Workrooms
- Laboratories

SS Wash Trough

Product Codes	
SSTROUGH	335mm Wide Stainless Steel Trough

Standardised width of 335mm and depth of 125mm. 50mm Upstand.
Specify required length when ordering.



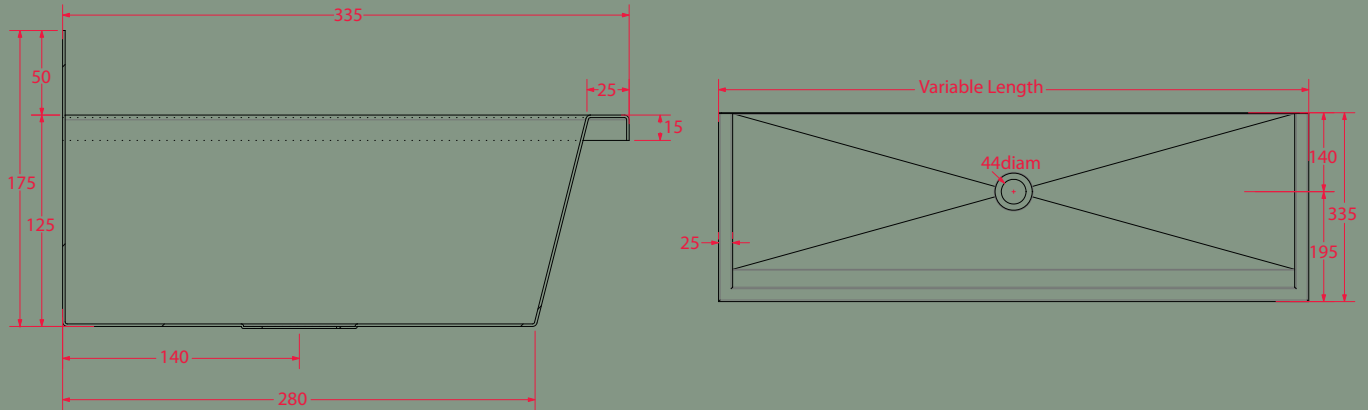
SS Cleaners Sink

Product Codes	
SSSINK560	560mm Stainless Steel Sink

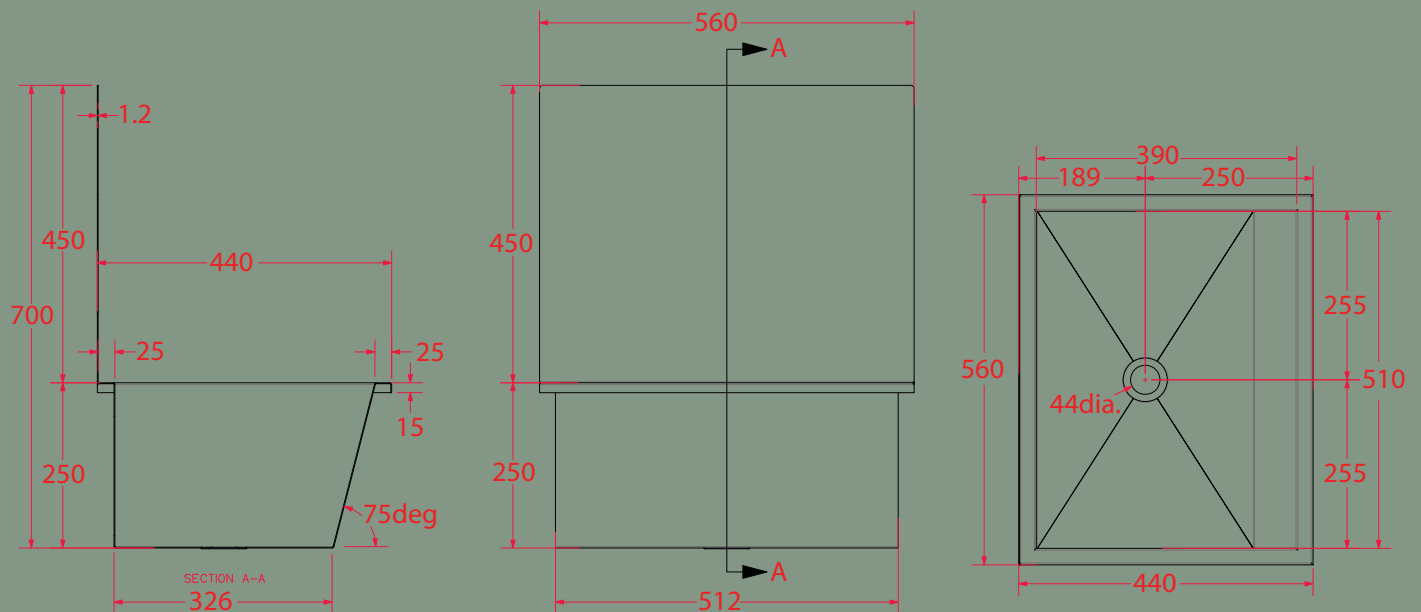
Standardised length of 560mm, width of 440mm and depth of 250mm. 450mm Upstand.



SS Wash Trough



SS Cleaners Sink



ordering / custom

As well as the above options, we are also able to provide customised versions, specific to your needs. We have a streamlined consultation process that takes you through from concept stage to final installation. Get in contact with us and start the process.

ALLPROOF
INDUSTRIES

www.allproof.com

Quality Plumbing Products