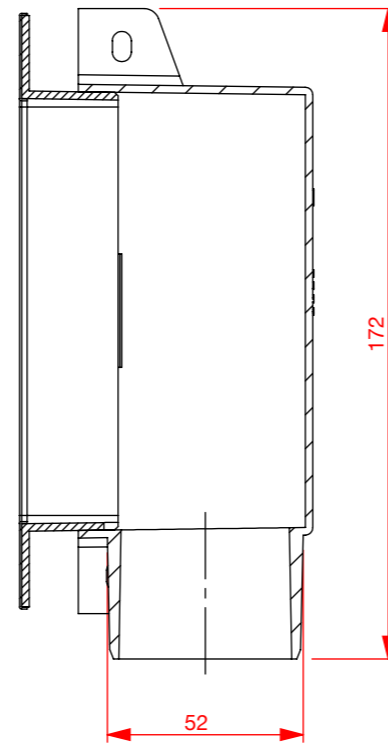
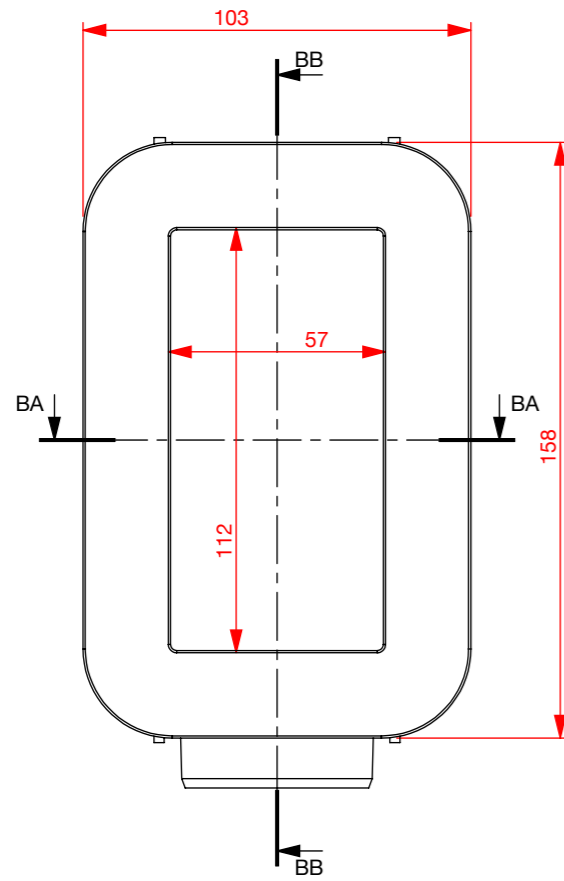
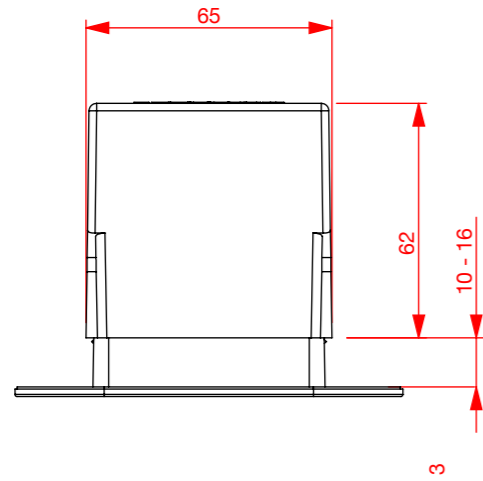
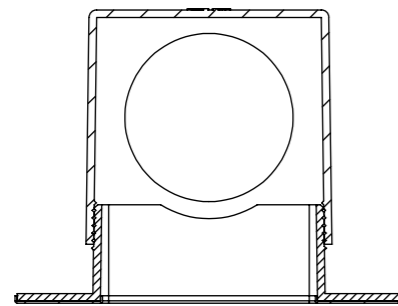
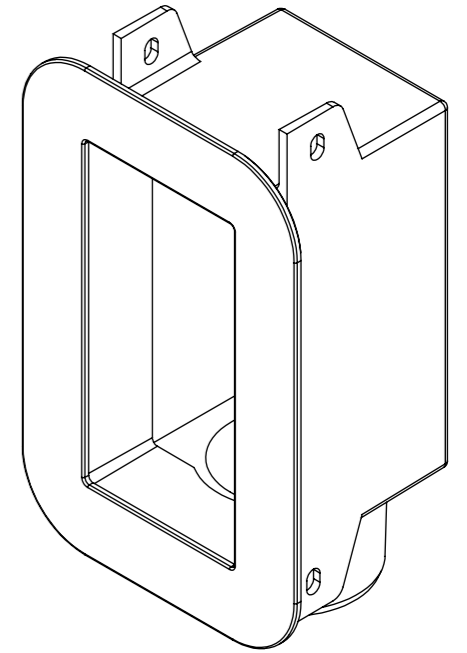
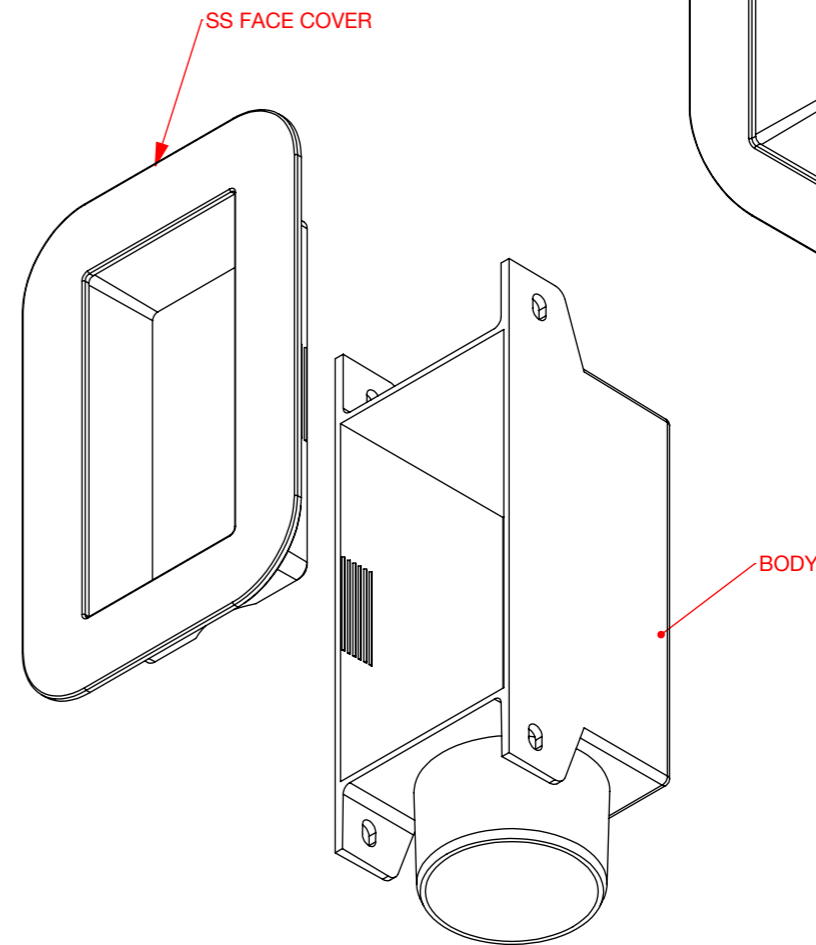


DESCRIPTION	
CODE	FINISH
LOB SSS	Stainless Steel



SECTION BB-BB

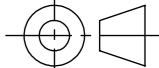


SECTION BA-BA

REVISIONS				
REVISION	CHANGE	DESCRIPTION	DRAWN	DATE
3	YES	DESIGN	SL	25.7.2016

DO NOT SCALE DRAWING		TITLE		
REQUESTED	DATE	LAUNDRY OUTLET BOX SMALL SS		
DRAWN S.L.	DATE			
APPROVED	DATE			
MATERIAL		APPLICABLE STANDARD(S):		

TOOL NUMBER	0.0
PART WEIGHT(GRAMS)	0.0
FILE	S/CAD FILES/2014/DRAINAGE/INJ/N WALL TUNDISH

DRAWING REF NUMBER		
LOB SML SS		
A3	UNITS = MM	SHEET 3 OF 12

DISCLAIMER : THE DESIGN SUGGESTION IS PROVIDED FOR EVALUATION PURPOSES ONLY.  
IT IS NOT TO BE CONSIDERED A FULL DESIGN AS WE ARE NOT THE CONSULTING ENGINEERS. WE ARE MANUFACTURERS. WE ARE NOT PRIVY TO ALL THE INFORMATION PERTAINING TO THIS MATTER AND WE HAVE NO CONTROL OVER THE PROJECT INSTALLATION OF THE PRODUCT. THE DESIGN SUGGESTION IS PROVIDED WITHOUT OBLIGATION. DESIGN IS TO BE CONFIRMED AND APPROVED BY THE ARCHITECT, HYDRAULICS ENGINEER, OR PROJECT MANAGER. ACCURATE MEASUREMENTS SHOULD BE CONFIRMED BY THE PERSON APPROVING THE DESIGN. ALLPROOF ACCEPTS NO LIABILITY FOR THE IMPROPER USE OF THE DESIGN SUGGESTION.