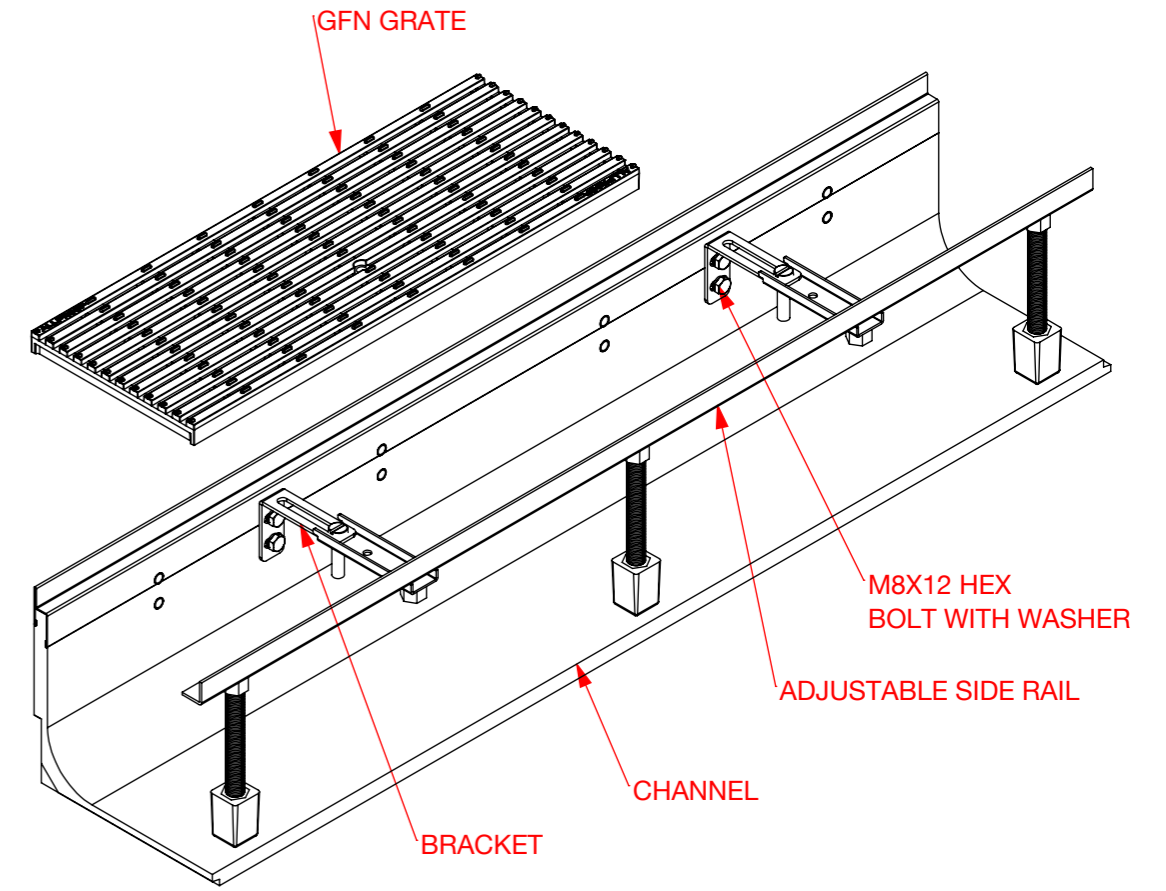
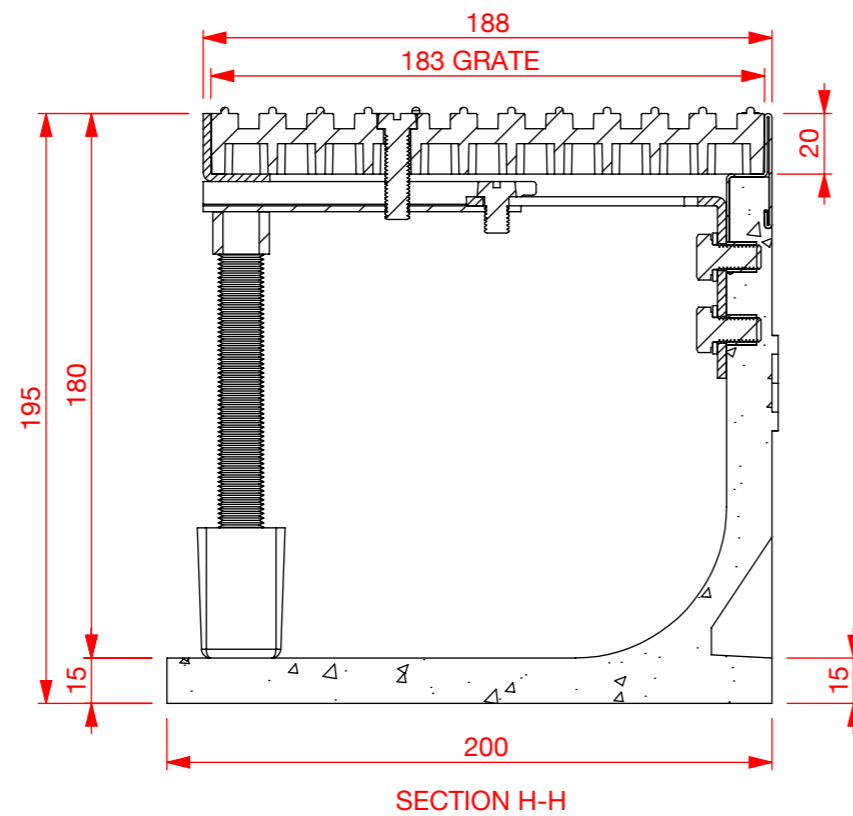
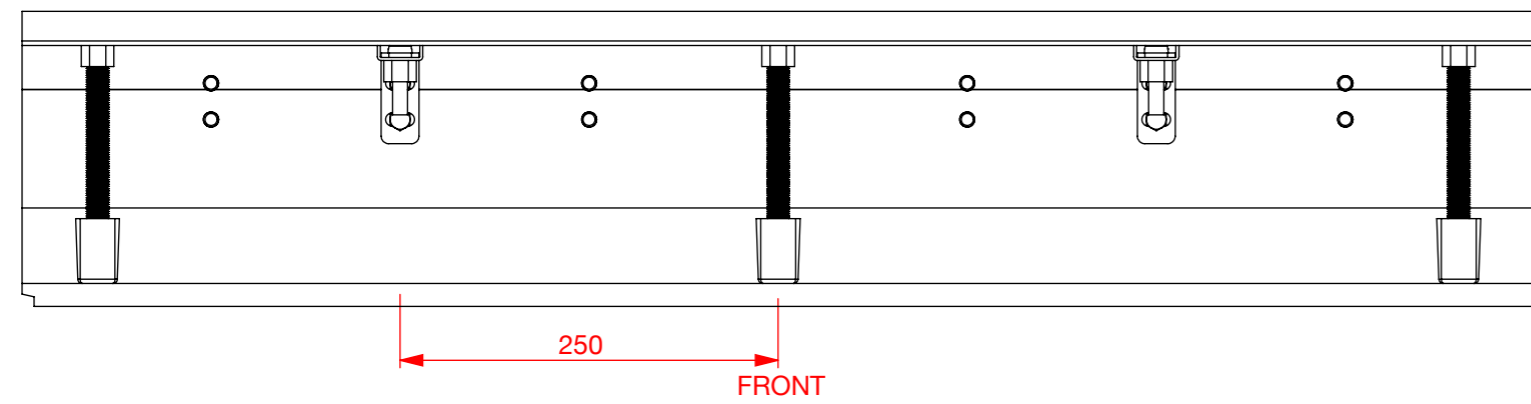
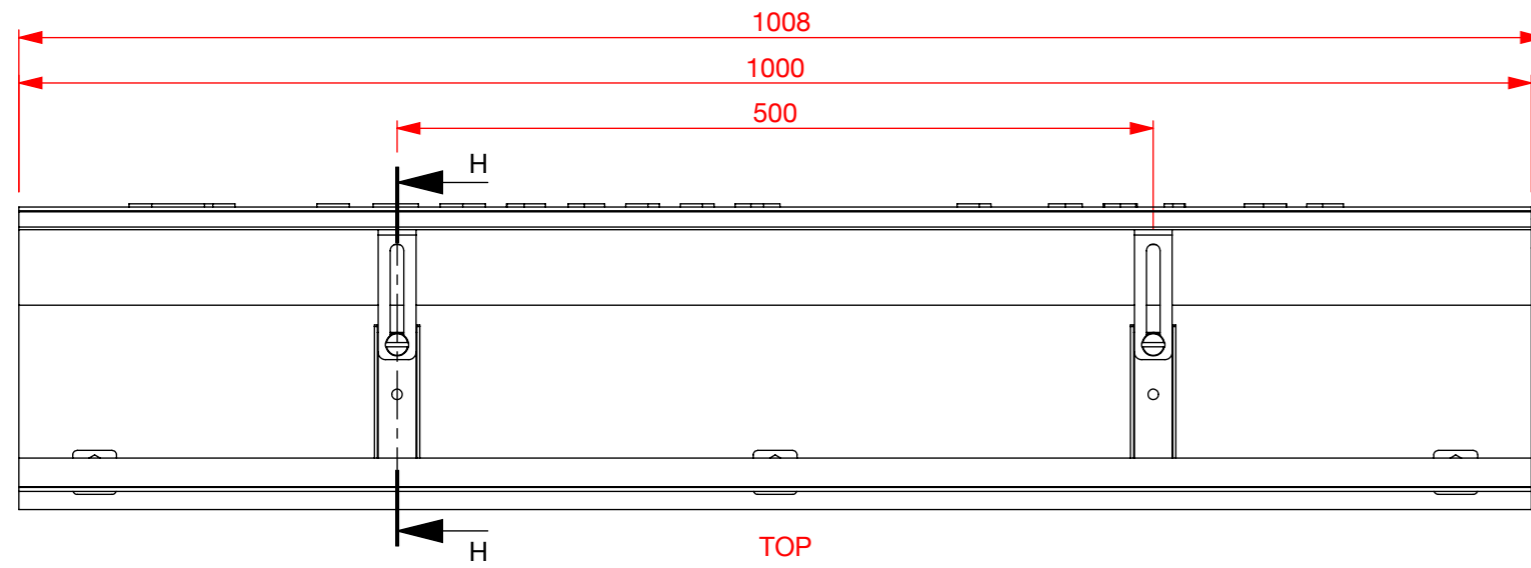
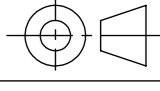


DESCRIPTION	
CODE	FINISH
PC180LGFN	POLYMER CONCRETE



REVISION	CHANGE	DESCRIPTION	DRAWN	DATE
DO NOT SCALE DRAWING		TITLE		
REQUESTED	DATE	GENERAL ASSEMBLY :PC 180 L CHANNEL WITH GFN GRATE		
DRAWN S.L.	DATE			
APPROVED	DATE	APPLICABLE STANDARD(S):		
MATERIAL		DRAWING REF NUMBER		
POLYMER CONCRETE GALV STEEL		PC180LGFN		
A3	UNITS = MM	SCALE 1 : 5 (UOS)	SHEET 1 OF 10	

TOOL NUMBER	0.0
PART WEIGHT(GRAMS)	0.0
FILE	S\CAD FILES\2017\DIVERSE\PC180L

DISCLAIMER : THE DESIGN SUGGESTION IS PROVIDED FOR EVALUATION PURPOSES ONLY.
IT IS NOT TO BE CONSIDERED A FULL DESIGN AS WE ARE NOT THE CONSULTING ENGINEERS. WE ARE MANUFACTURERS. WE ARE NOT PRIVY TO ALL THE INFORMATION PERTAINING TO THIS MATTER AND WE HAVE NO CONTROL OVER THE PROJECT INSTALLATION OF THE PRODUCT. THE DESIGN SUGGESTION IS PROVIDED WITHOUT OBLIGATION. DESIGN IS TO BE CONFIRMED AND APPROVED BY THE ARCHITECT, HYDRAULICS ENGINEER, OR PROJECT MANAGER. ACCURATE MEASUREMENTS SHOULD BE CONFIRMED BY THE PERSON APPROVING THE DESIGN. ALLPROOF ACCEPTS NO LIABILITY FOR THE IMPROPER USE OF THE DESIGN SUGGESTION.