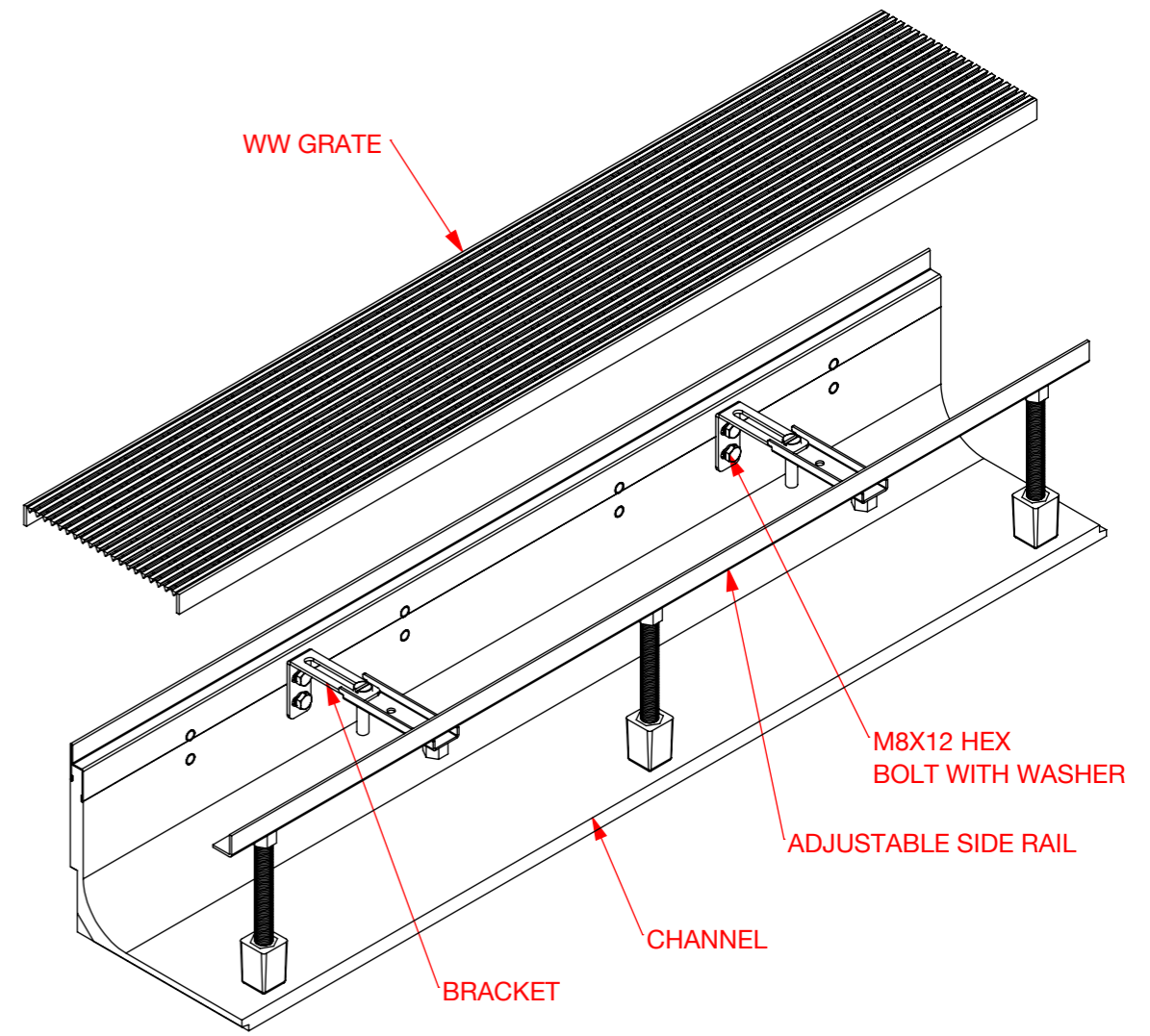
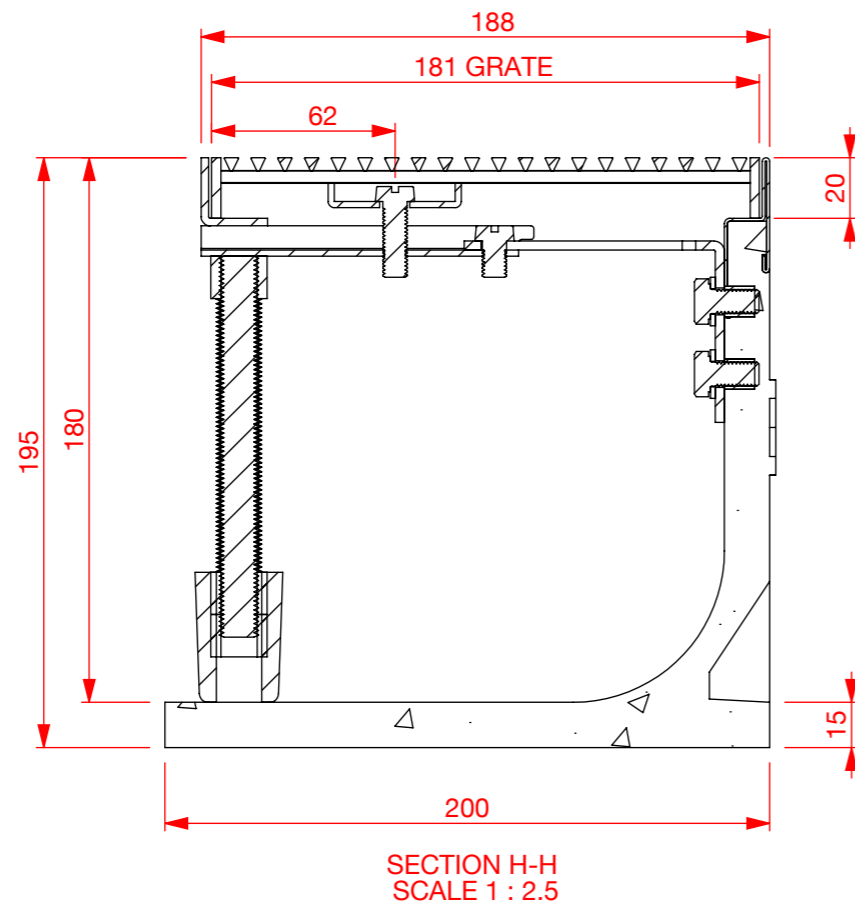
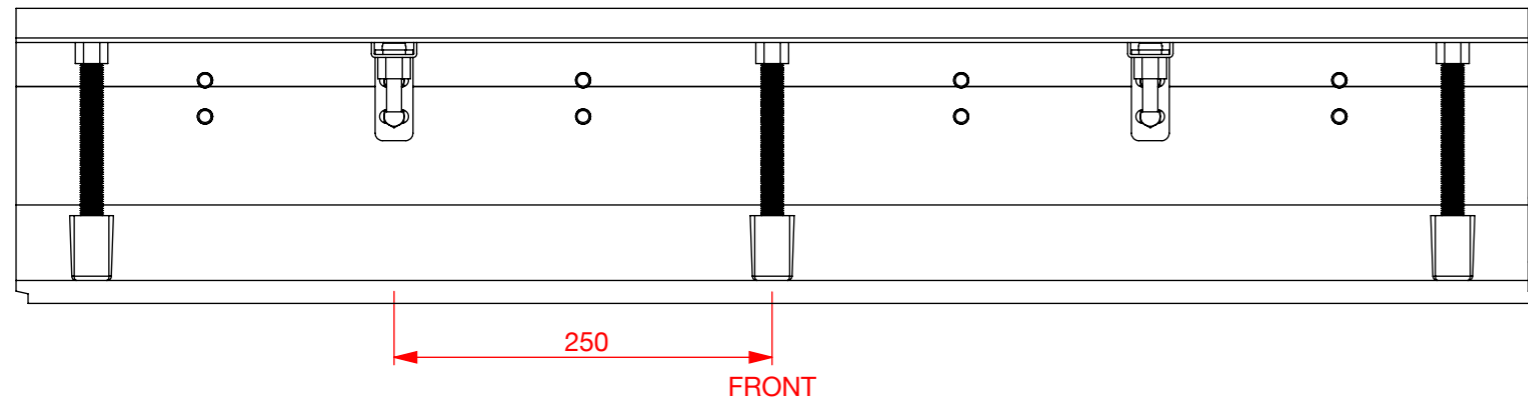
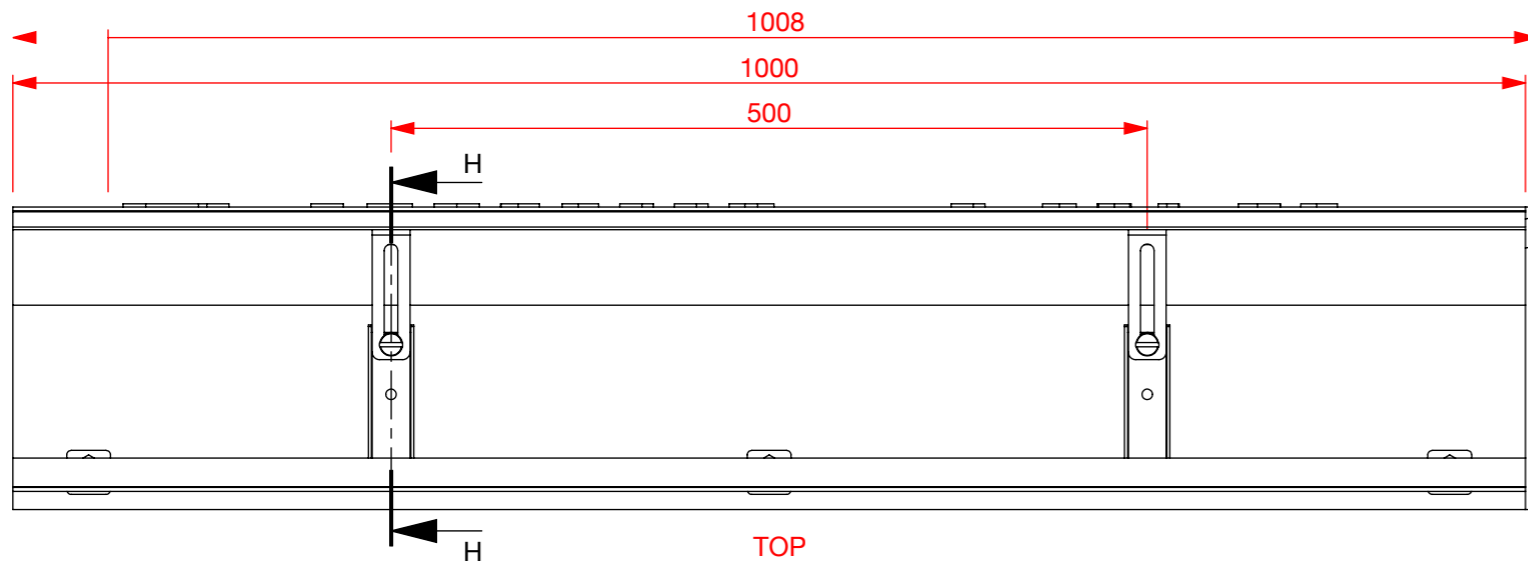
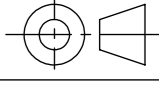


| DESCRIPTION | |
|-------------|------------------|
| CODE | FINISH |
| PC180LWW | POLYMER CONCRETE |



| REVISION | CHANGE | DESCRIPTION | DRAWN | DATE |
|-----------------------------|------------|--|---|------|
| DO NOT SCALE DRAWING | | TITLE | | |
| REQUESTED | DATE | GENERAL ASSEMBLY :PC 180 L CHANNEL WITH WW GRATE | | |
| DRAWN S.L. | DATE | | | |
| APPROVED | DATE | APPLICABLE STANDARD(S): | | |
| MATERIAL | | DRAWING REF NUMBER |  | |
| POLYMER CONCRETE GALV STEEL | | PC180L WW | | |
| A3 | UNITS = MM | SCALE 1 : 5 (UOS) | SHEET 3 OF 10 | |

| | |
|--------------------|---------------------------------|
| TOOL NUMBER | 0.0 |
| PART WEIGHT(GRAMS) | 0.0 |
| FILE | S\CAD FILES\2017\DIVERSE\PC180L |

DISCLAIMER : THE DESIGN SUGGESTION IS PROVIDED FOR EVALUATION PURPOSES ONLY.
IT IS NOT TO BE CONSIDERED A FULL DESIGN AS WE ARE NOT THE CONSULTING ENGINEERS. WE ARE MANUFACTURERS. WE ARE NOT PRIVY TO ALL THE INFORMATION PERTAINING TO THIS MATTER AND WE HAVE NO CONTROL OVER THE PROJECT INSTALLATION OF THE PRODUCT. THE DESIGN SUGGESTION IS PROVIDED WITHOUT OBLIGATION. DESIGN IS TO BE CONFIRMED AND APPROVED BY THE ARCHITECT, HYDRAULICS ENGINEER, OR PROJECT MANAGER. ACCURATE MEASUREMENTS SHOULD BE CONFIRMED BY THE PERSON APPROVING THE DESIGN. ALLPROOF ACCEPTS NO LIABILITY FOR THE IMPROPER USE OF THE DESIGN SUGGESTION.