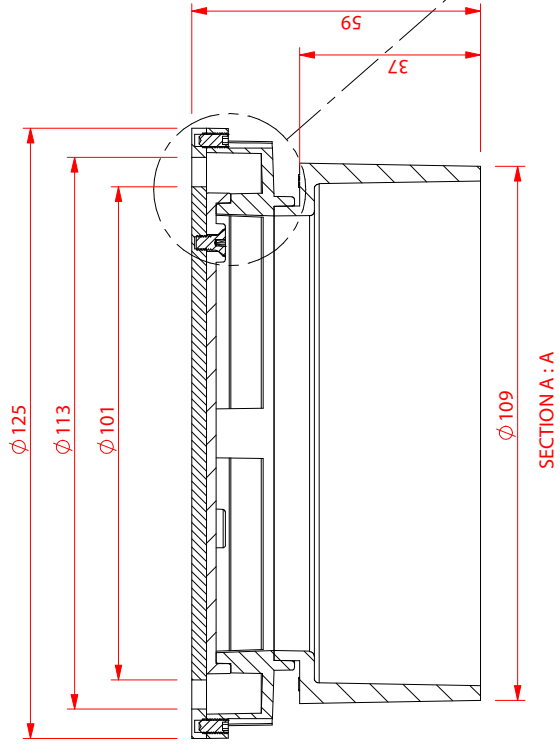
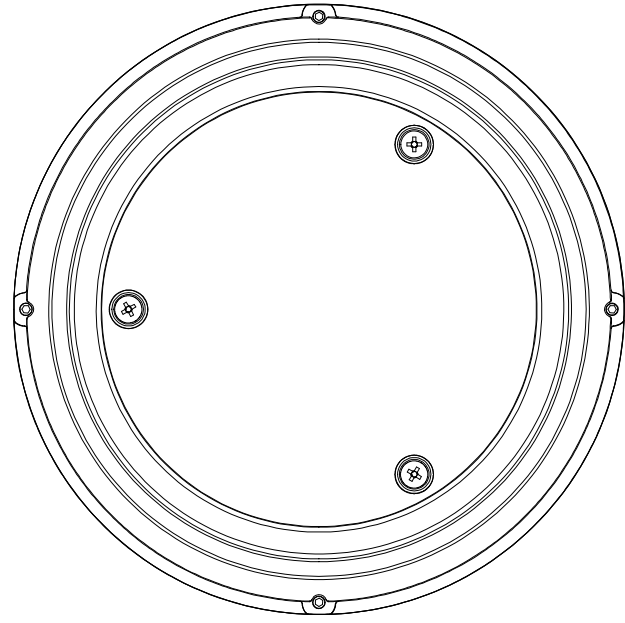


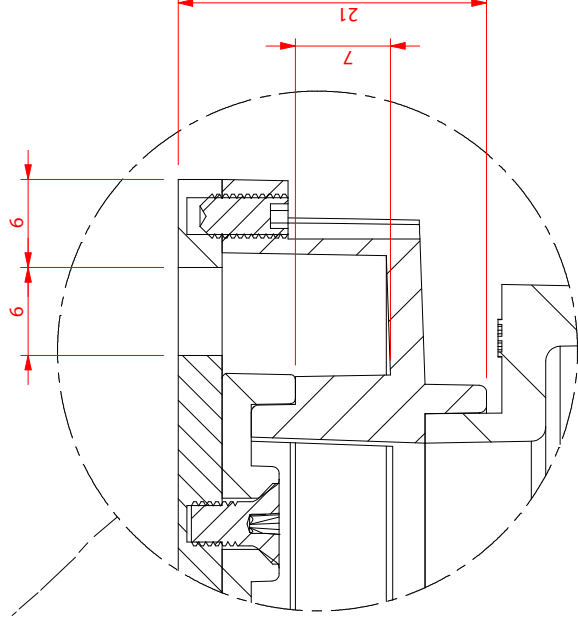
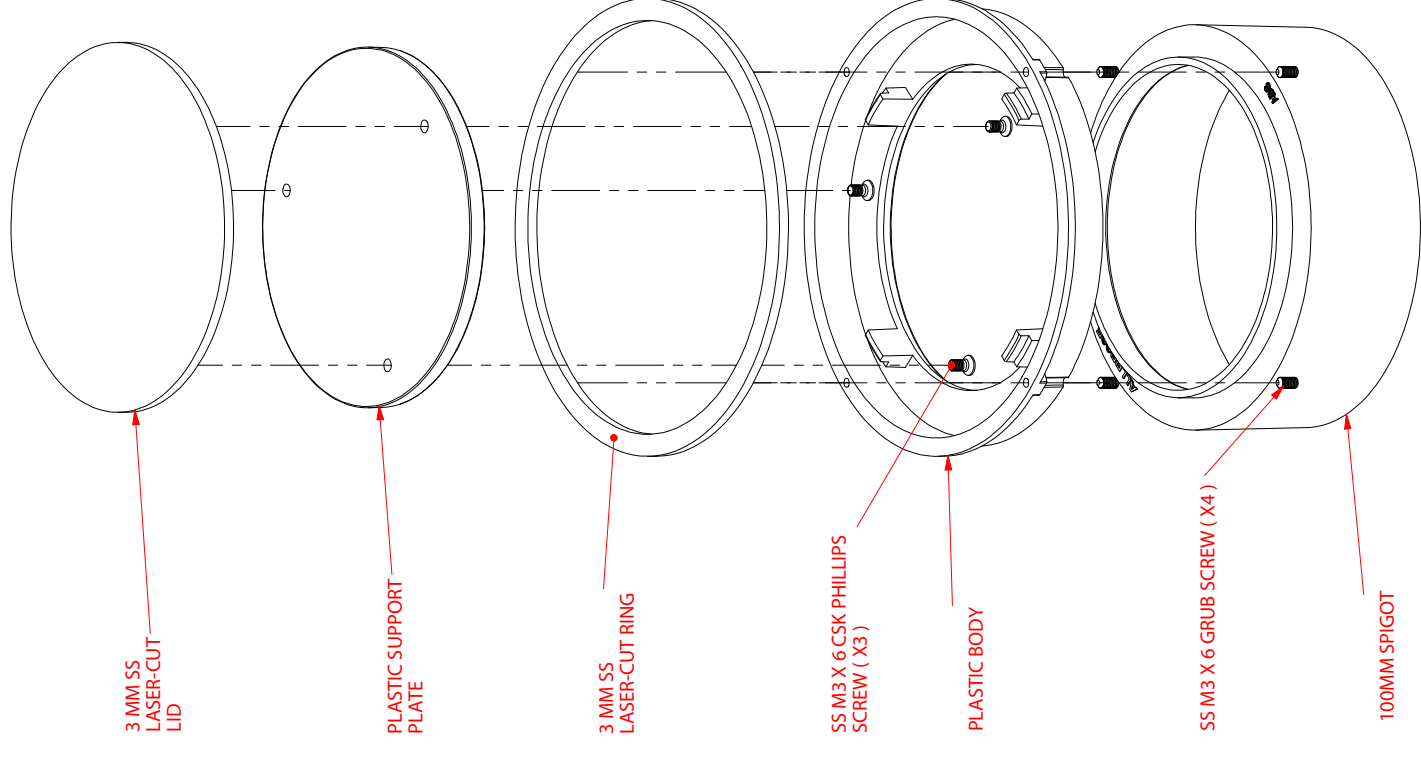
TOP VIEW



SECTION A : A



BOTTOM VIEW



DETAIL B
SCALE 2 : 1

REVISIONS		DRAWN	DATE	DO NOT SCALE DRAWING	REQUESTED	DATE
						APRIL 2013
				DRAWN	S.L	DATE
				APPROVED		17.4.2013
REV 7		S.L	11.6.2013	MATERIAL		
REV 6		S.L	9.5.2013	- LID : 3 MM SS - RING : 3MM SS - PLASTIC PARTS : ABS		
TOOL NUMBER				UNITS = MM		
PART WEIGHT (GRAMS)		0.0		SCALE : NTS (UOS)		
FILE		S:\CAD FILES\2013\DRAINAGE\NJ MOLDING\DET DWG KT100RDSS		A3		
TITLE				GENERAL ASSEMBLY : 100MM ROUND STAINLESS KATTEI		
PART NUMBER				KT100RDSS		
SCALE				SHEET 1 OF 4		

ALP
P R O O F

