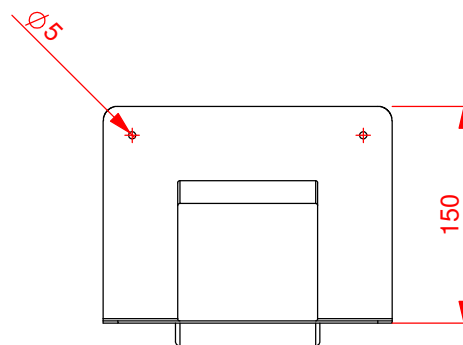
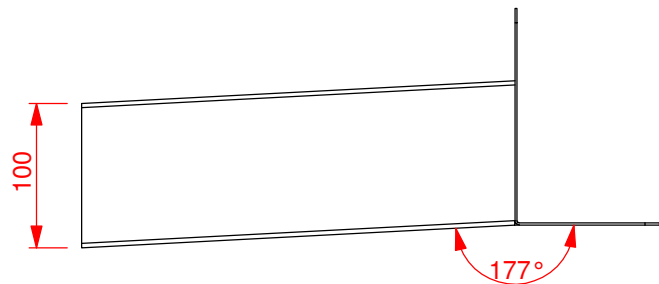
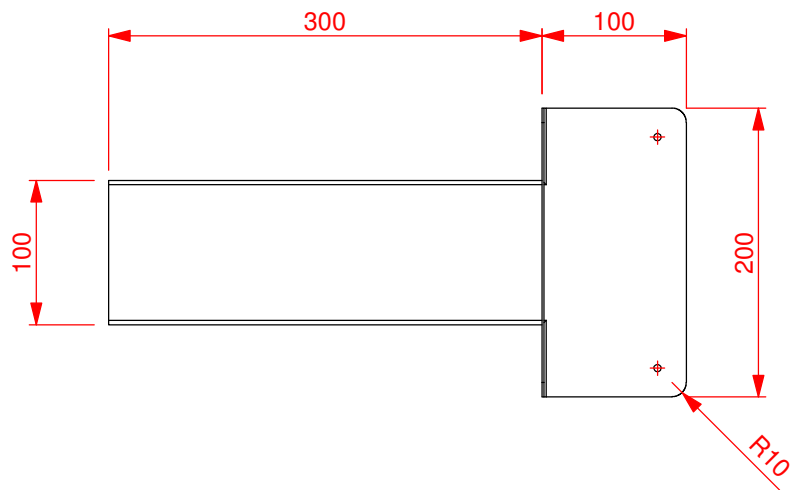
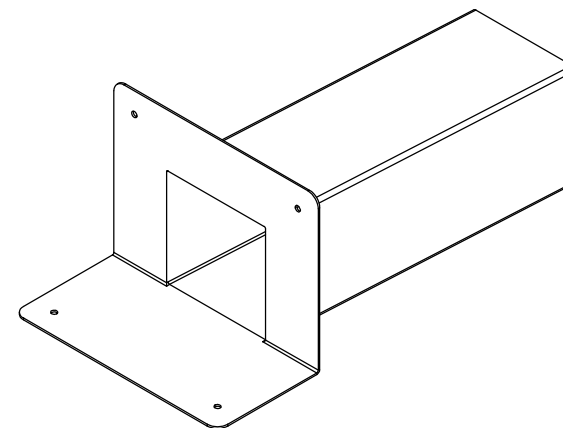


ALLPROOF INDUSTRIES

DESCRIPTION

CODE	FINISH
SCUP100SS	STAINLESS STEEL



TOOL NUMBER	0.0
PART WEIGHT(GRAMS)	0.0
FILE	S/CAD FILES/2014/DIVERSE/SS SCUPPERS

DISCLAIMER : THE DESIGN SUGGESTION IS PROVIDED FOR EVALUATION PURPOSES ONLY. IT IS NOT TO BE CONSIDERED A FULL DESIGN AS WE ARE NOT THE CONSULTING ENGINEERS. WE ARE MANUFACTURERS. WE ARE NOT PRIVY TO ALL THE INFORMATION PERTAINING TO THIS MATTER AND WE HAVE NO CONTROL OVER THE PROJECT INSTALLATION OF THE PRODUCT. THE DESIGN SUGGESTION IS PROVIDED WITHOUT OBLIGATION. DESIGN IS TO BE CONFIRMED AND APPROVED BY THE ARCHITECT, HYDRAULICS ENGINEER, OR PROJECT MANAGER. ACCURATE MEASUREMENTS SHOULD BE CONFIRMED BY THE PERSON APPROVING THE DESIGN. ALLPROOF ACCEPTS NO LIABILITY FOR THE IMPROPER USE OF THE DESIGN SUGGESTION.

XXX	XXX	S.L	XXX
REVISIONS	CHANGES	DRAWN	DATE
DO NOT SCALE DRAWING		TITLE	
REQUESTED JM	DATE 10.3.2015	SS SCUPPER 100X100	
DRAWN S.L.	DATE 10.3.2015		
APPROVED	DATE	APPLICABLE STANDARD :	
MATERIAL		DRAWING REF.NO.:	
SS, GAUGE AND GRADE TBC		JMS10315-01	
A4	UNITS = MM	SCALE 1:5(UOS)	SHEET 1 OF 2