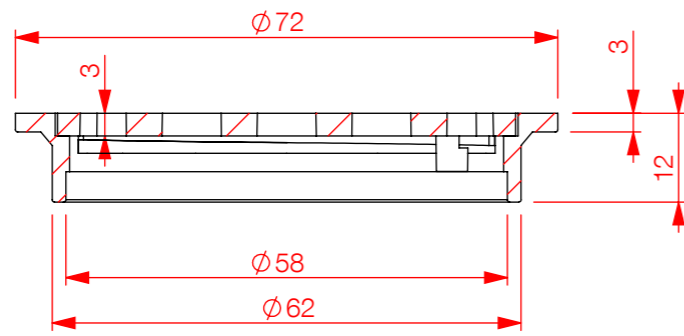
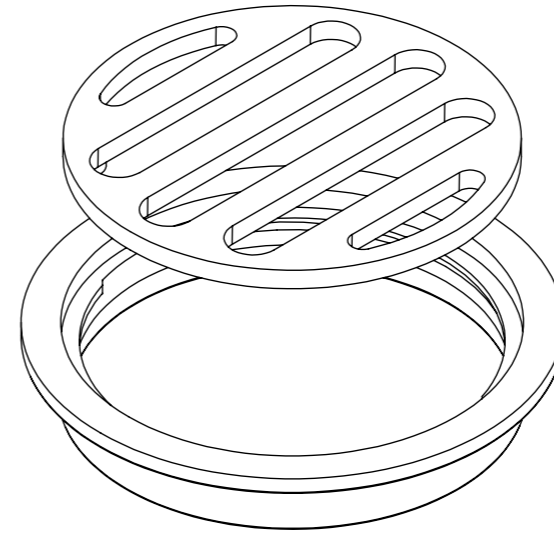
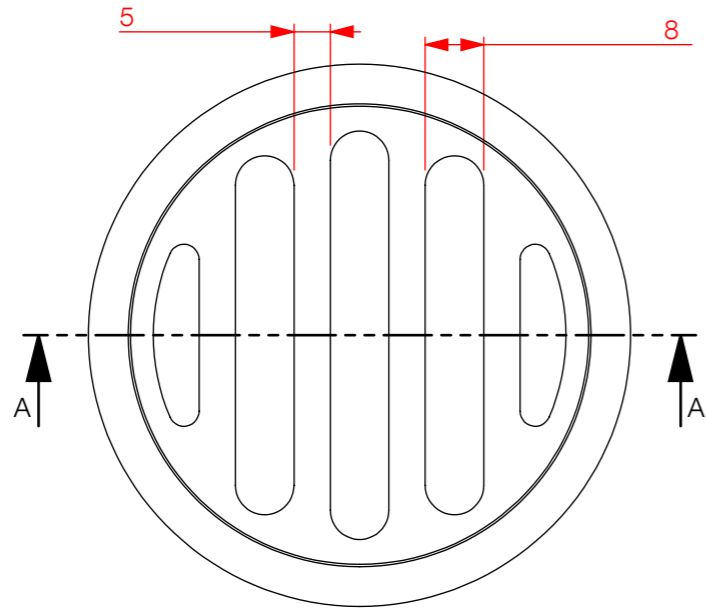


DESCRIPTION	
CODE	FINISH
80TFRD	CHROME ON BRASS



SECTION A-A

XXX	XXX	XXX	SL	XXX
REVISION	CHANGE	DESCRIPTION	DRAWN	DATE
DO NOT SCALE DRAWING		TITLE		
REQUESTED	DATE	80mm ROUND CHROME ON BRASS GRATE		
XXX	XXX			
DRAWN	DATE	APPLICABLE STANDARD(S):		
S.L.	XXX	MATERIAL		
APPROVED	DATE	DRAWING REF NUMBER		
		80TFRD		
		BRASS, CHROME FINISH		
		SCALE (UOS) 1:1		
		SHEET 1 OF 4		

TOOL NUMBER	0.0
PART WEIGHT(GRAMS)	0.0
FILE	S\CAD FILES\2012\DRAINAGE\C&F\80TF AND 100TF

DISCLAIMER : THE DESIGN SUGGESTION IS PROVIDED FOR EVALUATION PURPOSES ONLY.
IT IS NOT TO BE CONSIDERED A FULL DESIGN AS WE ARE NOT THE CONSULTING ENGINEERS, WE ARE MANUFACTURERS, WE ARE NOT PRIVY TO ALL THE INFORMATION PERTAINING TO THIS MATTER AND WE HAVE NO CONTROL OVER THE PROJECT INSTALLATION OF THE PRODUCT, THE DESIGN SUGGESTION IS PROVIDED WITHOUT OBLIGATION.
DESIGN IS TO BE CONFIRMED AND APPROVED BY THE ARCHITECT, HYDRAULICS ENGINEER, OR PROJECT MANAGER. ACCURATE MEASUREMENTS SHOULD BE CONFIRMED BY THE PERSON APPROVING THE DESIGN. ALLPROOF ACCEPTS NO LIABILITY FOR THE IMPROPER USE OF THE DESIGN SUGGESTION.