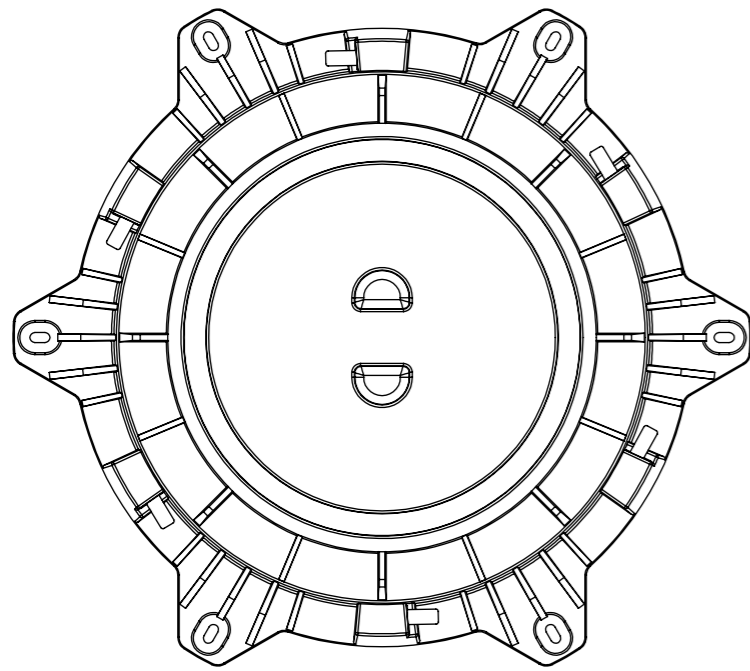
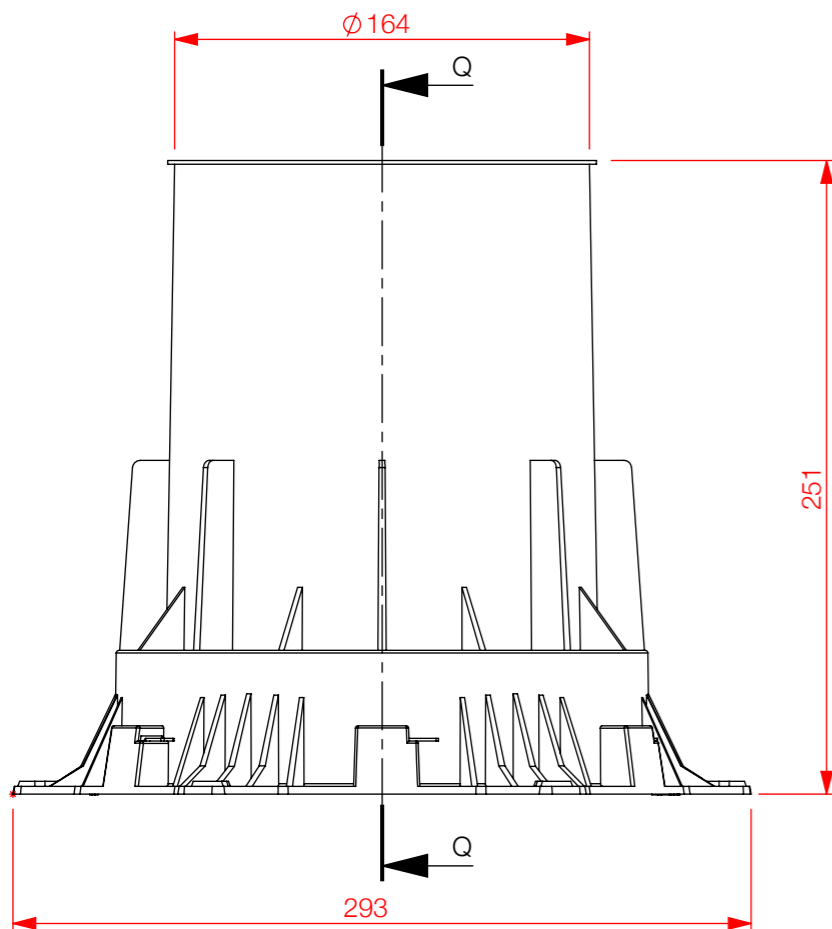


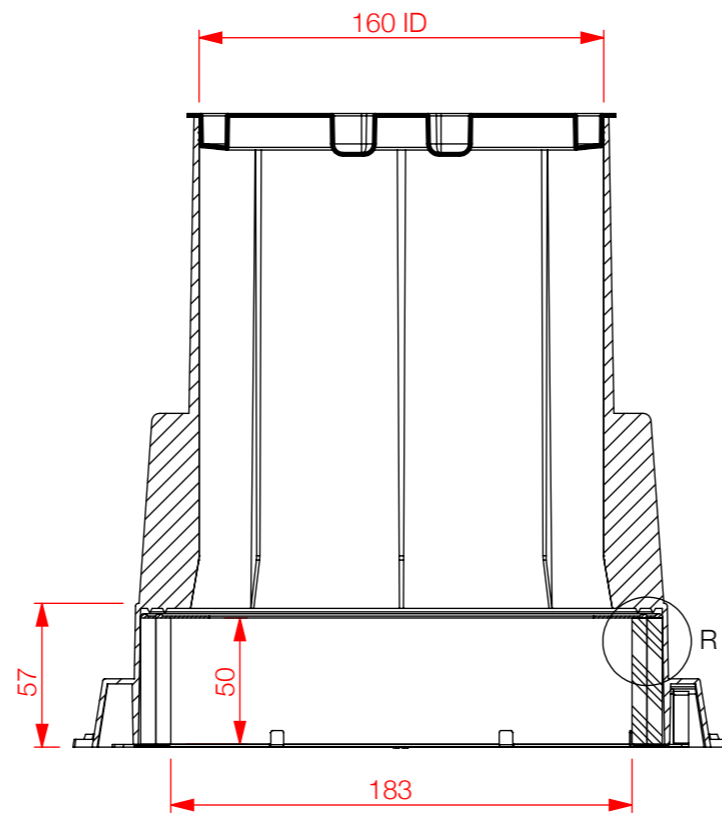
DESCRIPTION	
CODE	FINISH
CIFC150S	PLASTIC



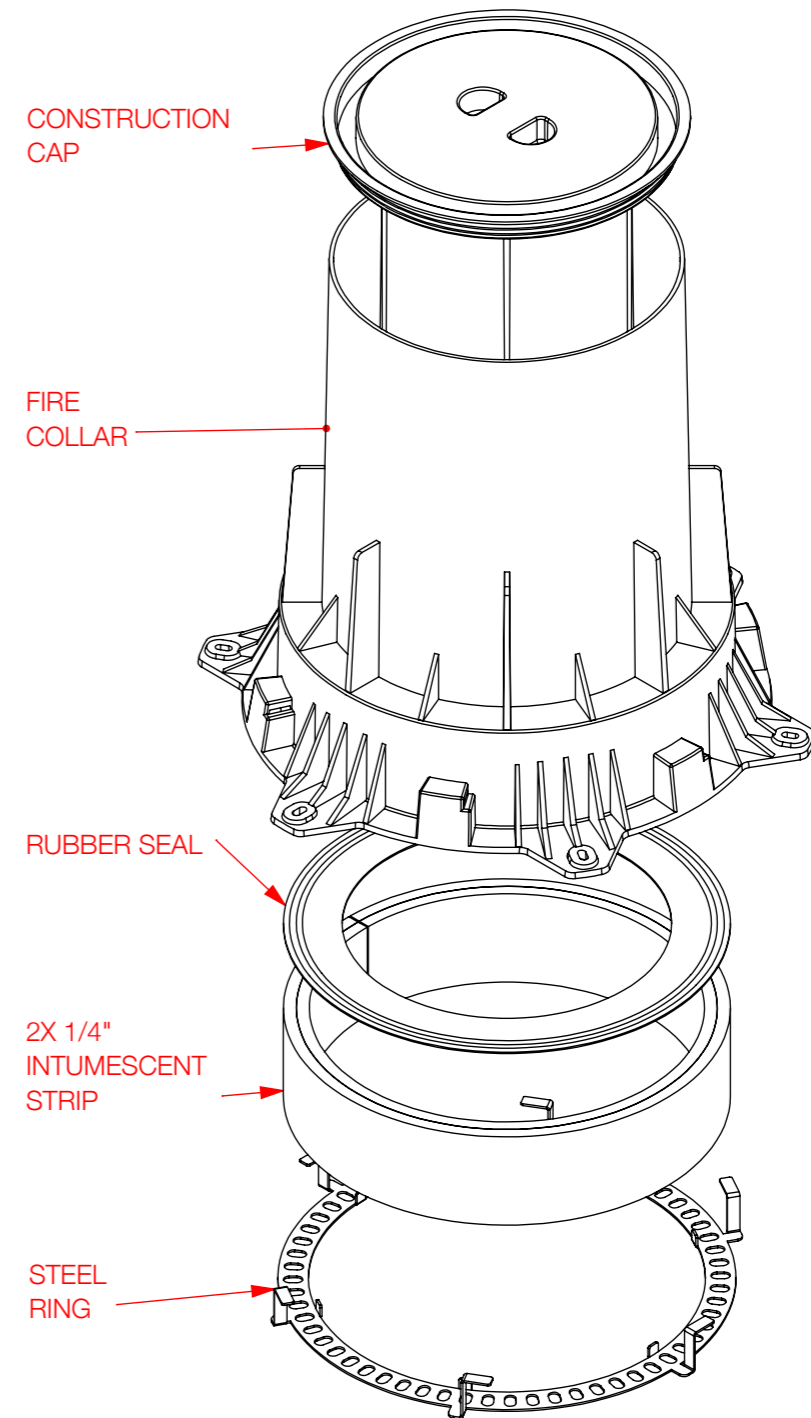
TOP



FRONT



SECTION Q-Q



REVISION	CHANGE	DESCRIPTION	SL	XXX
DO NOT SCALE DRAWING		TITLE		
REQUESTED	DATE	150MM CAST-IN FIRE COLLAR		
DRAWN	DATE			
APPROVED	DATE	APPLICABLE STANDARD(S):		
MATERIAL		DRAWING REF NUMBER		
PP, GALV STEEL		ALLCIFC150S		
A3	UNITS = MM	SCALE (UOS)	1:3	SHEET 1 OF 4

TOOL NUMBER	0.0
PART WEIGHT(GRAMS)	0.0
FILE	S\CAD FILES\2017\DIVERSE