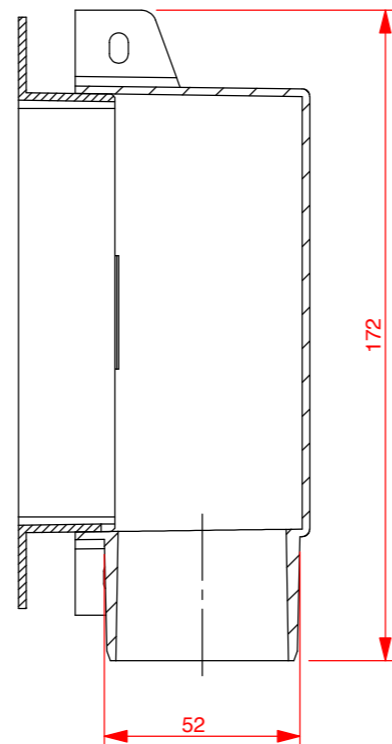
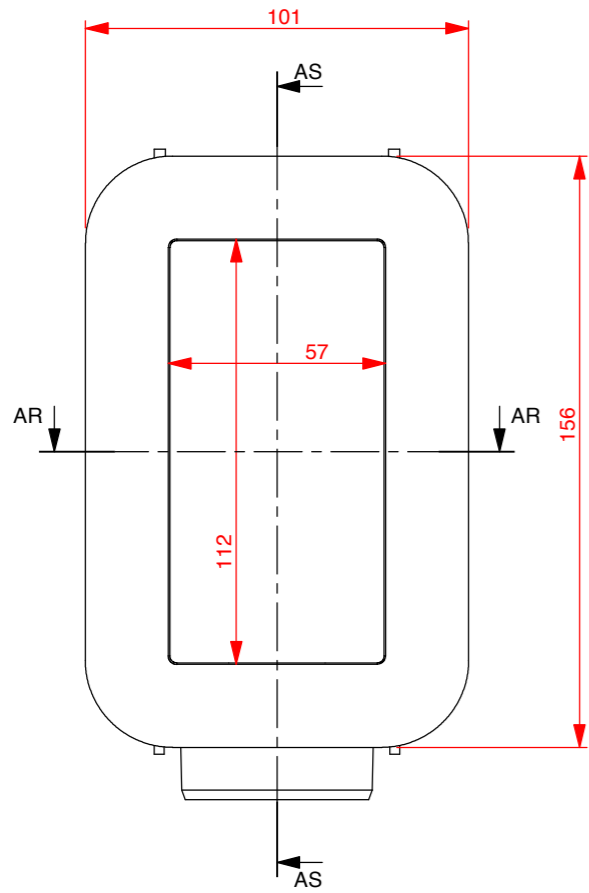
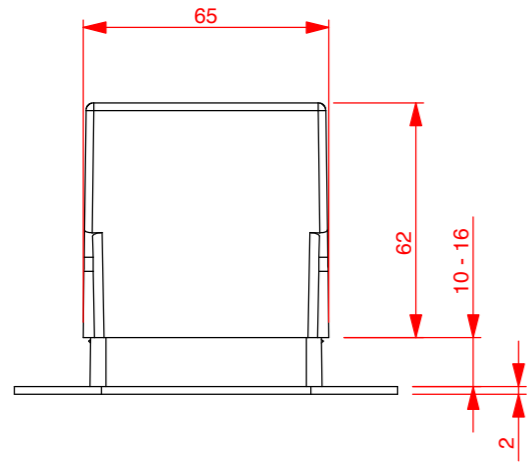
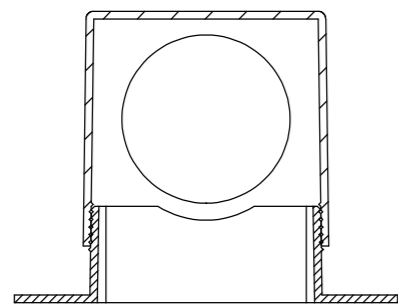
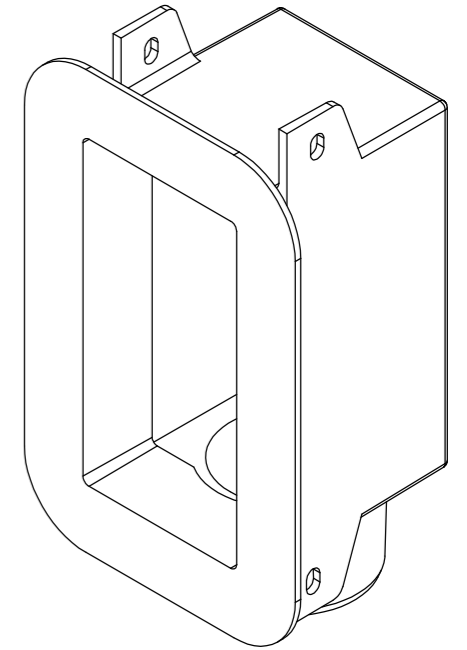
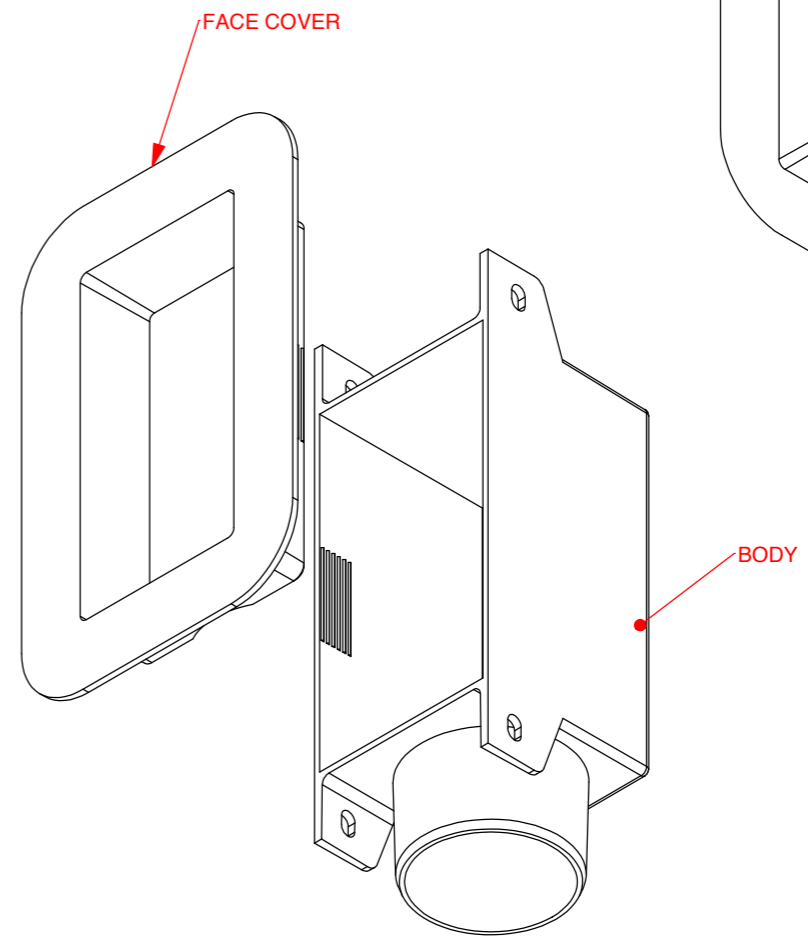


DESCRIPTION	
CODE	FINISH
LOB SML	PLASTIC



SECTION AS-AS

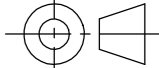


SECTION AR-AR

REVISIONS				
REVISION	CHANGE	DESCRIPTION	DRAWN	DATE
3	YES	DESIGN	SL	25.7.2016

DO NOT SCALE DRAWING		TITLE
REQUESTED A.J	DATE DEC 2014	IN-WALL WASHING MACHINE TUNDISH
DRAWN S.L.	DATE 12.12.2014	
APPROVED	DATE	APPLICABLE STANDARD(S):

TOOL NUMBER	0.0
PART WEIGHT(GRAMS)	0.0
FILE	S/CAD FILES/2014/DRAINAGE/IN/WALL TUNDISH

MATERIAL PVC,ABS	DRAWING REF NUMBER TBC	
A3	UNITS = MM	
SCALE 1 : 2 (UOS)		SHEET 2 OF 8