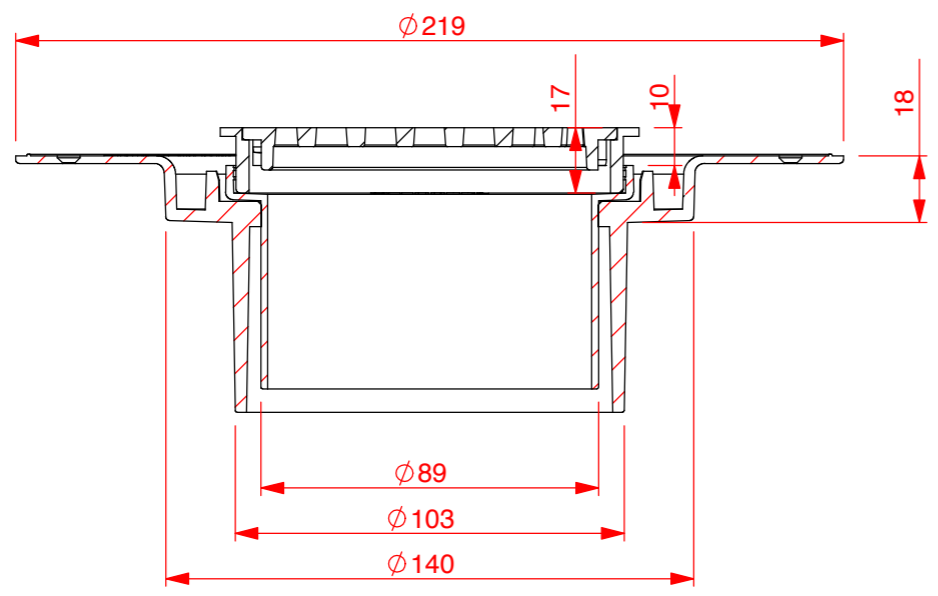
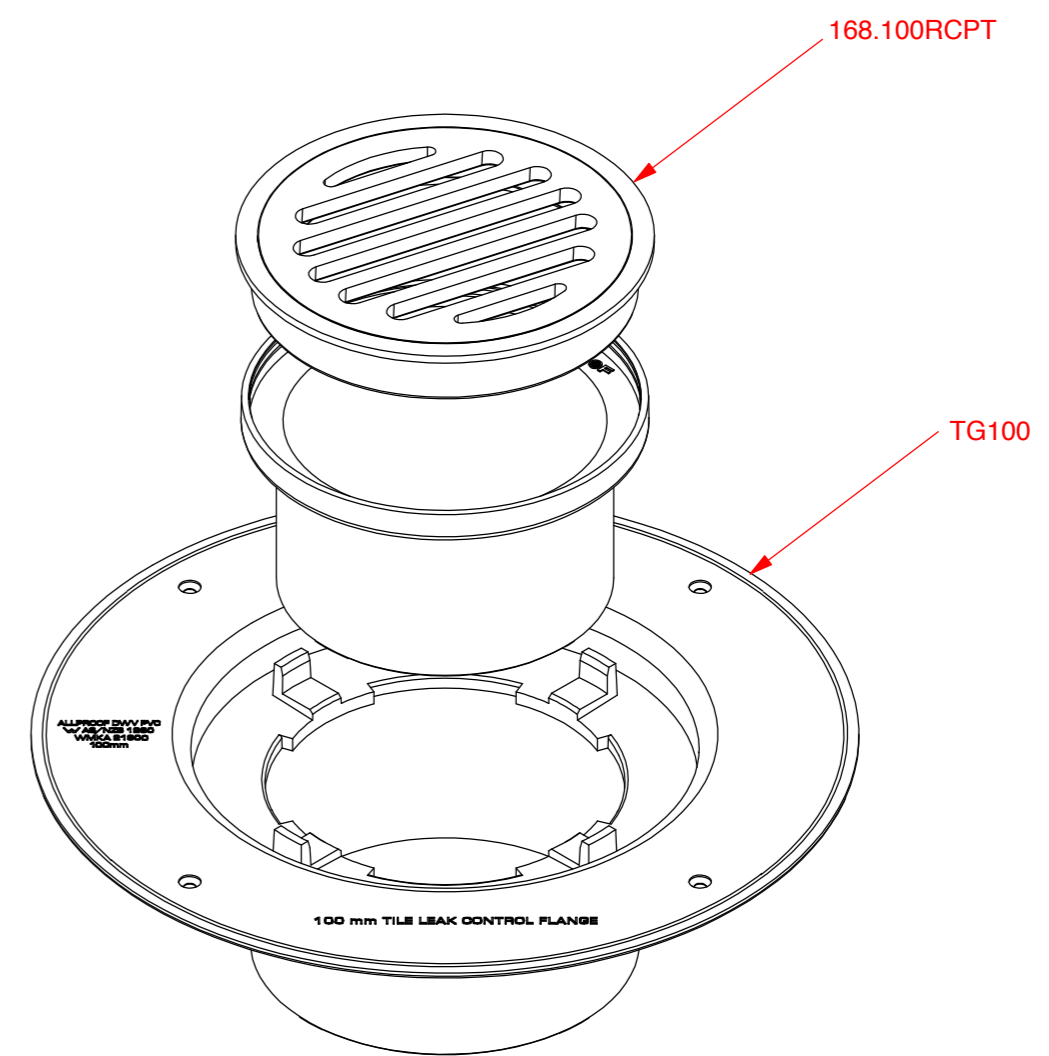
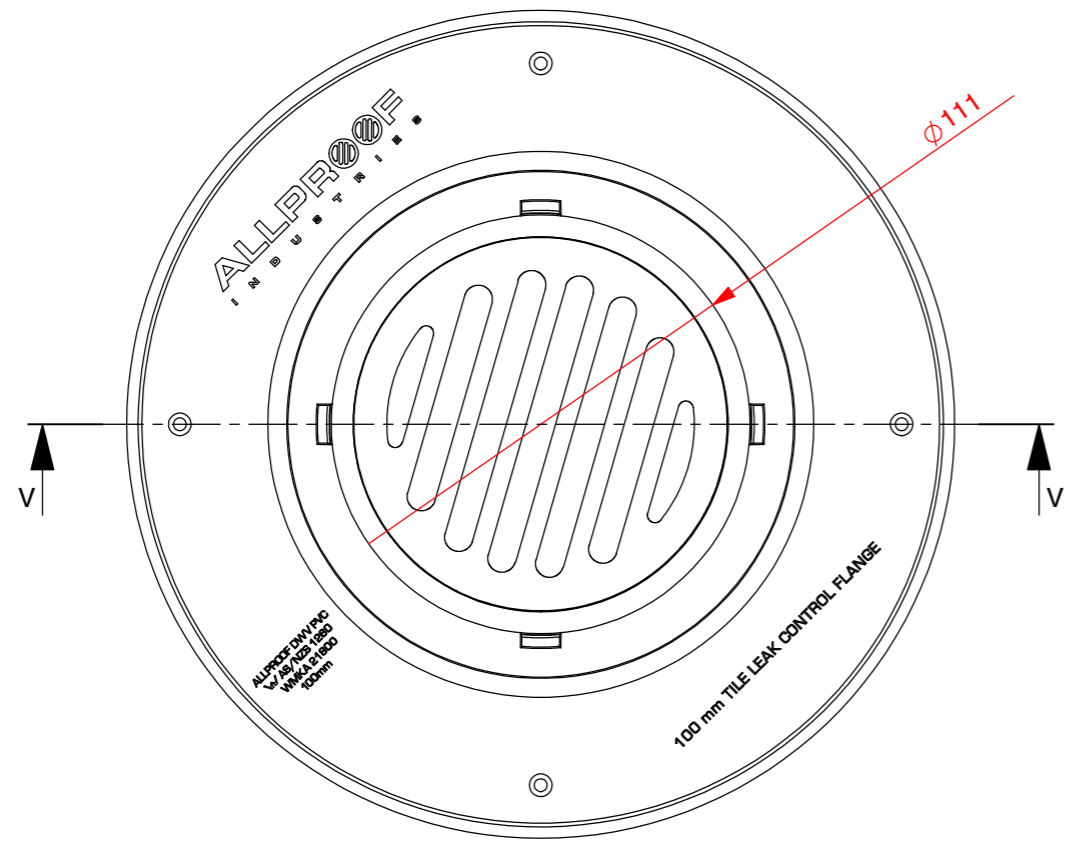


DESCRIPTION	
CODE	FINISH
TG100	PVC
168.100RCP	CHROME



SECTION V-V

REVISION	CHANGE	DESCRIPTION	DRAWN	DATE
DO NOT SCALE DRAWING		TITLE		
REQUESTED	DATE	100MM TILT-A-GRATE WITH 168.100SCPT		
DRAWN	DATE			
APPROVED	DATE			
MATERIAL		APPLICABLE STANDARD(S): AS/NZS 1260		
TOOL NUMBER		DRAWING REF NUMBER		
PART WEIGHT(GRAMS)		TG100		
FILE	S/CAD FILES/2015/DIVERSE/100TILTGRATE	SCALE 1 : 2 (UOS)	SHEET 3 OF 3	

DISCLAIMER : THE DESIGN SUGGESTION IS PROVIDED FOR EVALUATION PURPOSES ONLY.
IT IS NOT TO BE CONSIDERED A FULL DESIGN AS WE ARE NOT THE CONSULTING ENGINEERS. WE ARE NOT PRIVY TO ALL THE INFORMATION PERTAINING TO THIS MATTER AND WE HAVE NO CONTROL OVER THE PROJECT INSTALLATION OF THE PRODUCT. THE DESIGN SUGGESTION IS PROVIDED WITHOUT OBLIGATION. DESIGN IS TO BE CONFIRMED AND APPROVED BY THE ARCHITECT, HYDRAULICS ENGINEER, OR PROJECT MANAGER. ACCURATE MEASUREMENTS SHOULD BE CONFIRMED BY THE PERSON APPROVING THE DESIGN. ALLPROOF ACCEPTS NO LIABILITY FOR THE IMPROPER USE OF THE DESIGN SUGGESTION.