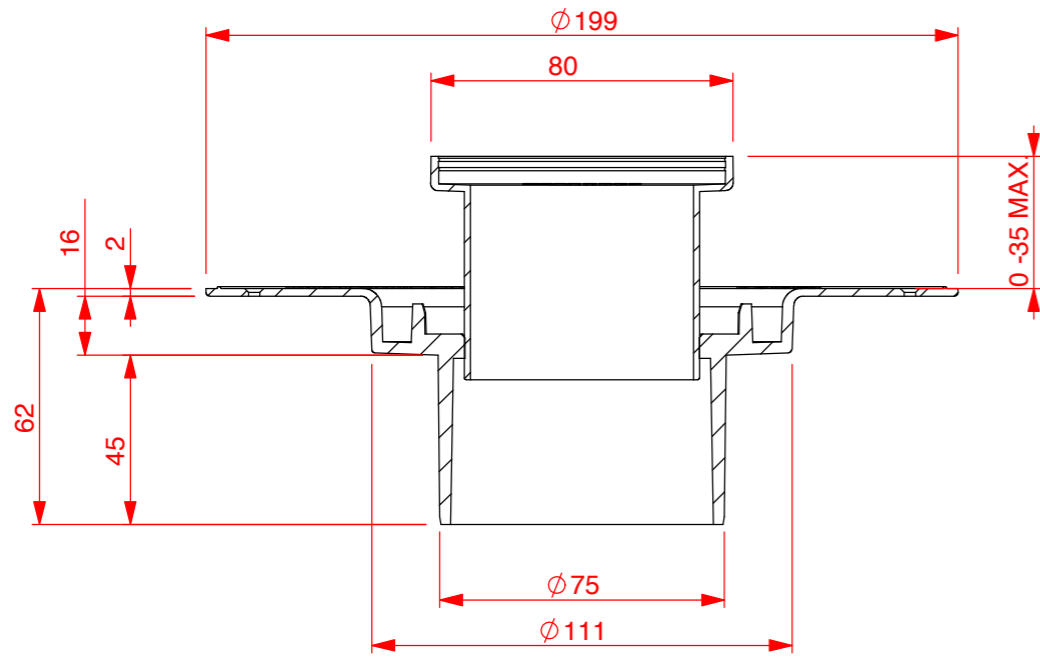
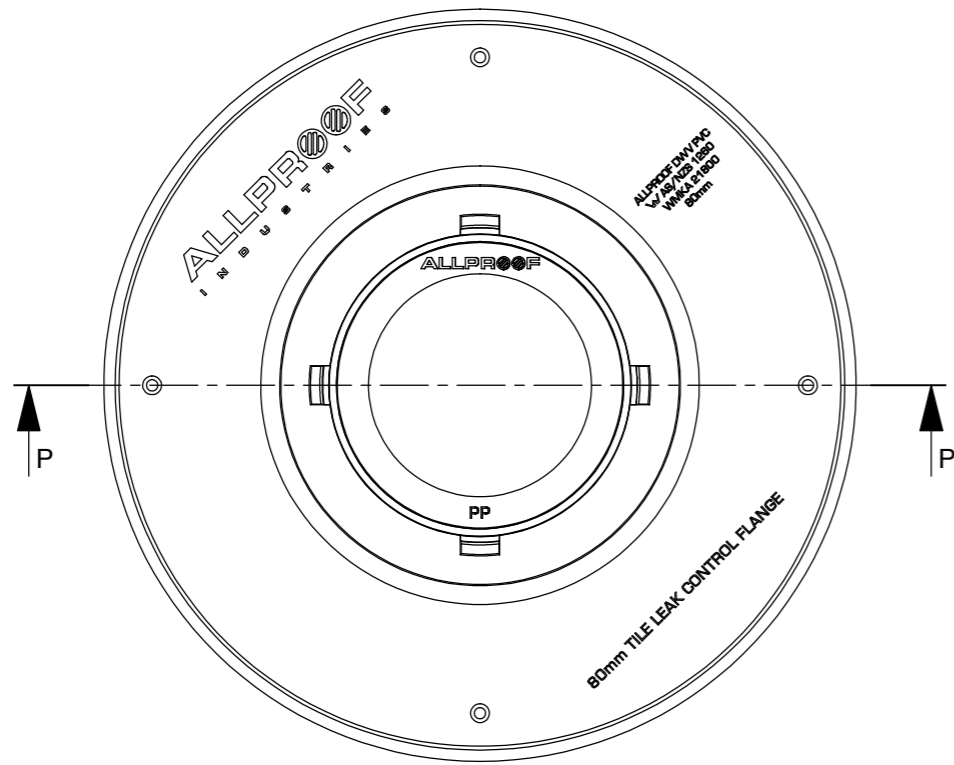
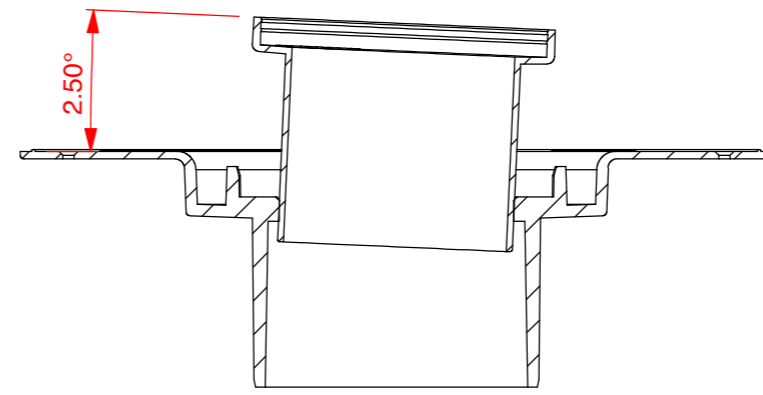


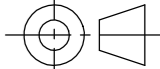
DESCRIPTION	
CODE	FINISH
TG80	PVC



**SECTION P-P
MAX. EXTENSION**



**SECTION Q-Q
MAX. ANGLE**

REVISION	CHANGE	DESCRIPTION	DRAWN	DATE
DO NOT SCALE DRAWING		TITLE 80MM TILT-A-GRATE		
REQUESTED	DATE			
DRAWN	DATE			
APPROVED	DATE	APPLICABLE STANDARD(S): AS/NZS 1260		
MATERIAL PVC, PP		DRAWING REF NUMBER TG80	 SHEET 1 OF 1	
TOOL NUMBER	0.0			
PART WEIGHT(GRAMS)	0.0			
FILE	S/CAD FILES/2015/DIVERSE/80TILTGRATE	A3	UNITS = MM	SCALE 1 : 2 (UOS)

DISCLAIMER : THE DESIGN SUGGESTION IS PROVIDED FOR EVALUATION PURPOSES ONLY.
IT IS NOT TO BE CONSIDERED A FULL DESIGN AS WE ARE NOT THE CONSULTING ENGINEERS; WE ARE MANUFACTURERS. WE ARE NOT PRIVY TO ALL THE INFORMATION PERTAINING TO THIS MATTER AND WE HAVE NO CONTROL OVER THE PROJECT INSTALLATION OF THE PRODUCT. THE DESIGN SUGGESTION IS PROVIDED WITHOUT OBLIGATION. DESIGN IS TO BE CONFIRMED AND APPROVED BY THE ARCHITECT, HYDRAULICS ENGINEER, OR PROJECT MANAGER. ACCURATE MEASUREMENTS SHOULD BE CONFIRMED BY THE PERSON APPROVING THE DESIGN. ALLPROOF ACCEPTS NO LIABILITY FOR THE IMPROPER USE OF THE DESIGN SUGGESTION.