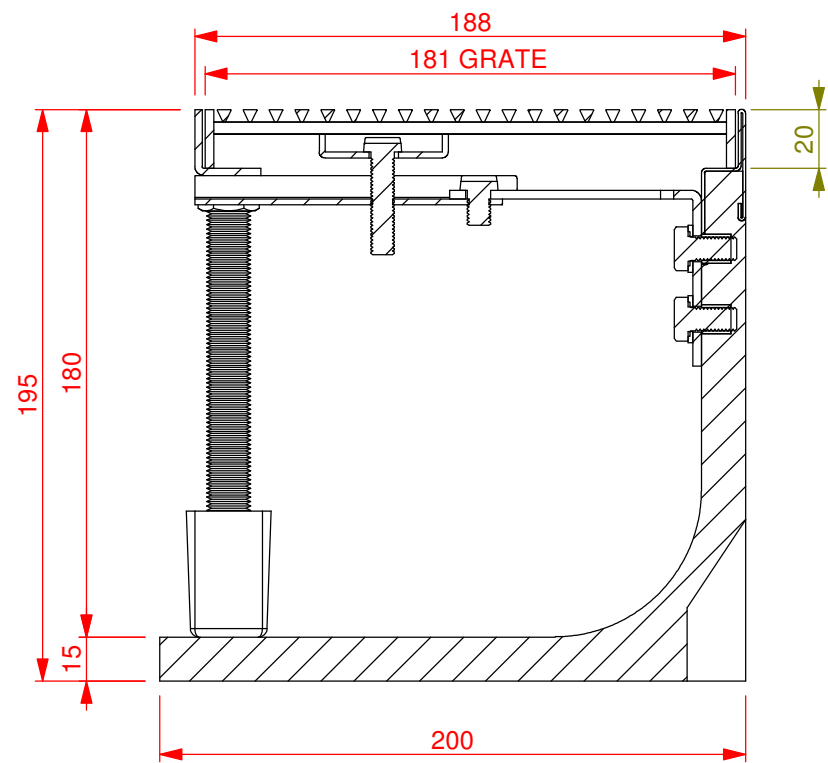
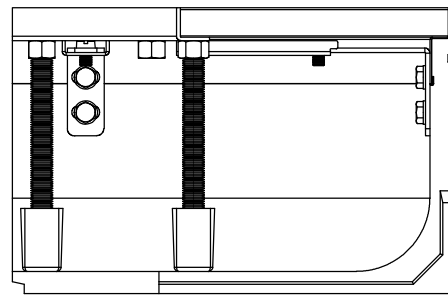
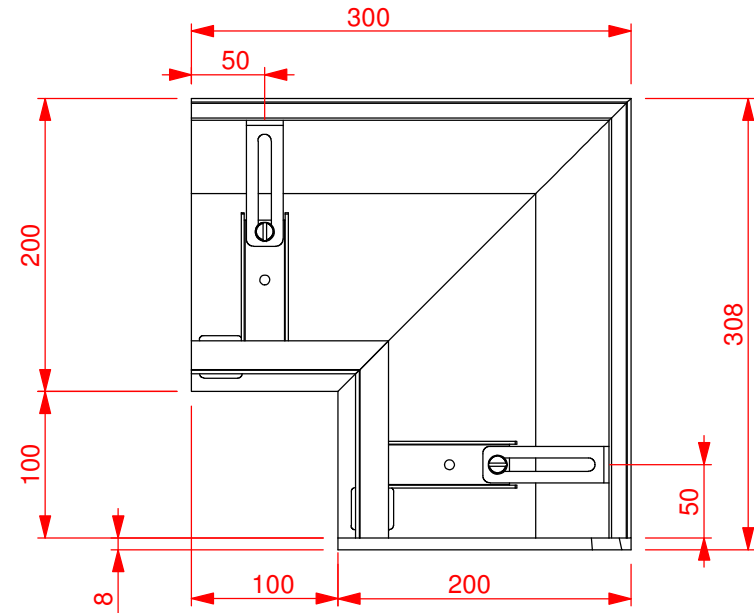
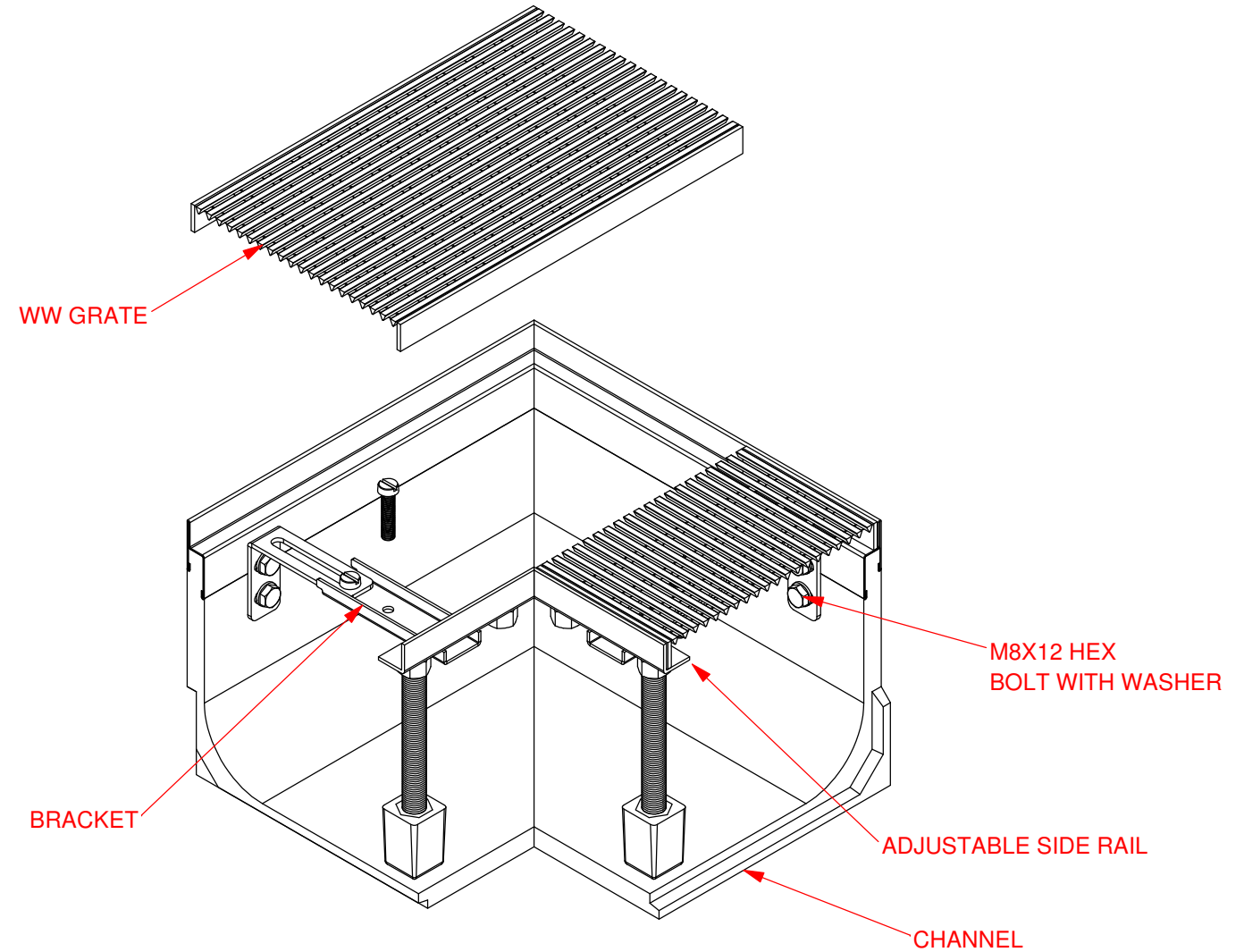


DESCRIPTION	
CODE	FINISH
PC180CEWW	GRATE: STAINLES STEEL FRAME: STAINLES STEEL CHANNEL: POLYMER CONCRETE



SECTION  
SCALE 1 : 2.5



REVISION	CHANGE	DESCRIPTION	DRAWN	DATE
DO NOT SCALE DRAWING		TITLE		
REQUESTED	DATE	GENERAL ASSEMBLY :EXTERNAL CORNER FOR PERIMETER DRAIN WITH WEDGE WIRE GRATE		
DRAWN	S.L.	DATE		
APPROVED	DATE	APPLICABLE STANDARD(S):		
MATERIAL		DRAWING REF NUMBER		
POLYMER CONCRETE GALV STEEL		PC180CEWW		
A3	UNITS = MM	SCALE 1 : 5 (UOS)		

TOOL NUMBER	0.0
PART WEIGHT(GRAMS)	0.0
FILE	S:\CAD\FILES\2017\DIVERSE\PC180L

