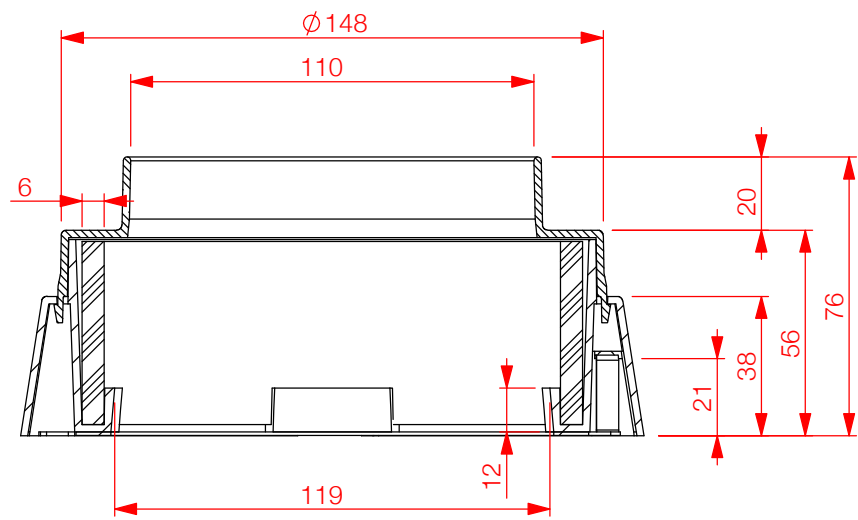
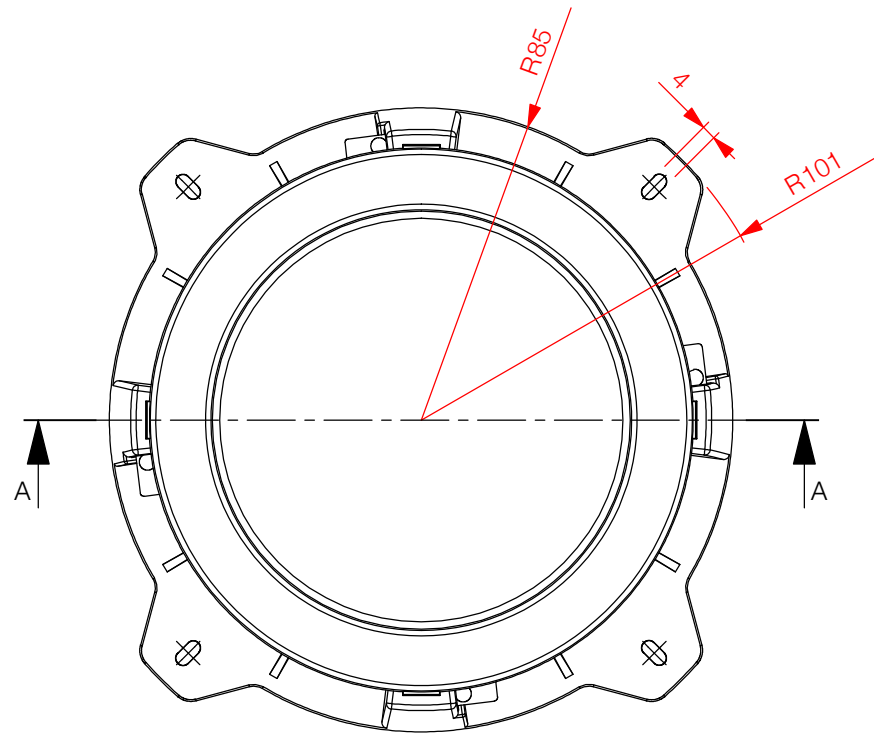
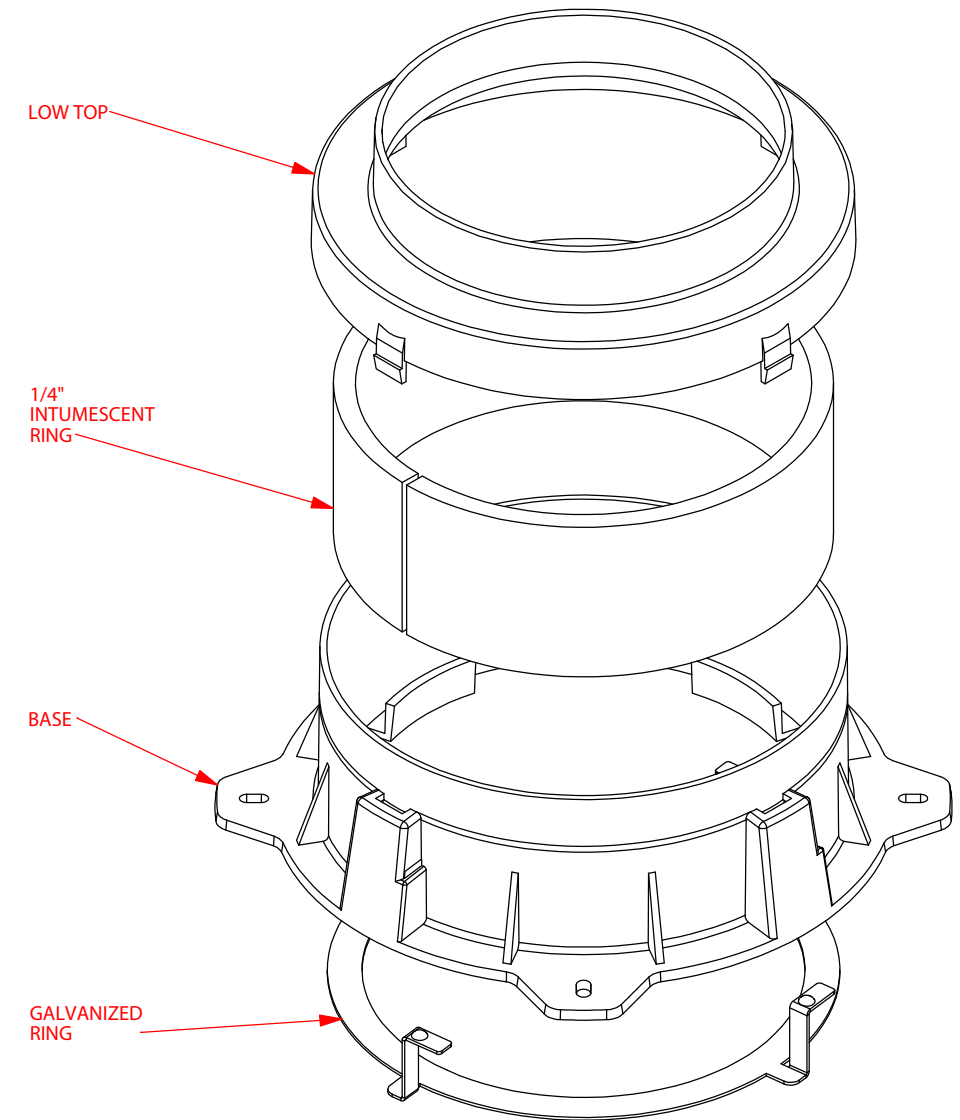


| DESCRIPTION | |
|-------------------|----------------|
| CODE | FINISH |
| CIFC100S L | PLASTIC |

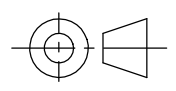


SECTION A-A
SCALE 1 : 2



DISCLAIMER : THE DESIGN SUGGESTION IS PROVIDED FOR EVALUATION PURPOSES ONLY.
IT IS NOT TO BE CONSIDERED A FULL DESIGN AS WE ARE NOT THE CONSULTING ENGINEERS, WE ARE MANUFACTURERS, WE ARE NOT PRIVY TO ALL THE INFORMATION PERTAINING TO THIS MATTER AND WE HAVE NO CONTROL OVER THE PROJECT INSTALLATION OF THE PRODUCT. THE DESIGN SUGGESTION IS PROVIDED WITHOUT OBLIGATION. DESIGN IS TO BE CONFIRMED AND APPROVED BY THE ARCHITECT, HYDRAULICS ENGINEER, OR PROJECT MANAGER. ACCURATE MEASUREMENTS SHOULD BE CONFIRMED BY THE PERSON APPROVING THE DESIGN. ALLPROOF ACCEPTS NO LIABILITY FOR THE IMPROPER USE OF THE DESIGN SUGGESTION.

| | |
|--------------------|--------------------------|
| TOOL NUMBER | 0.0 |
| PART WEIGHT(GRAMS) | 0.0 |
| FILE | S/CAD FILES/2017/DIVERSE |

| | | | | |
|----------------------|------------|-------------------------------|---------------------------------------------------------------------------------------|--------------|
| xxx | xxx | xxx | SL | xxx |
| REVISION | CHANGE | DESCRIPTION | DRAWN | DATE |
| DO NOT SCALE DRAWING | | TITLE | | |
| REQUESTED | DATE | 100MM CAST-IN FIRE COLLAR LOW | | |
| DRAWN | DATE | | | |
| APPROVED | DATE | APPLICABLE STANDARD(S): | | |
| MATERIAL | | DRAWING REF NUMBER |  | |
| PP, GALV STEEL | | ALLCFC100S L | | |
| A3 | UNITS = MM | SCALE (UOS) | 1 : 2 | SHEET 1 OF 5 |