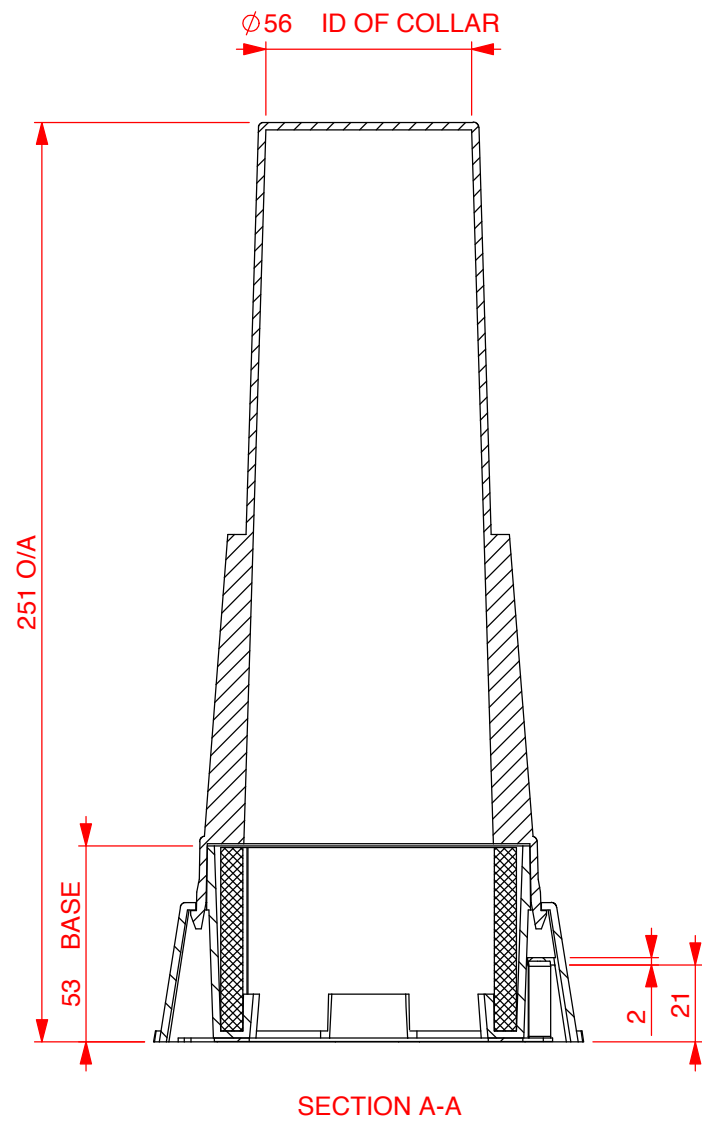
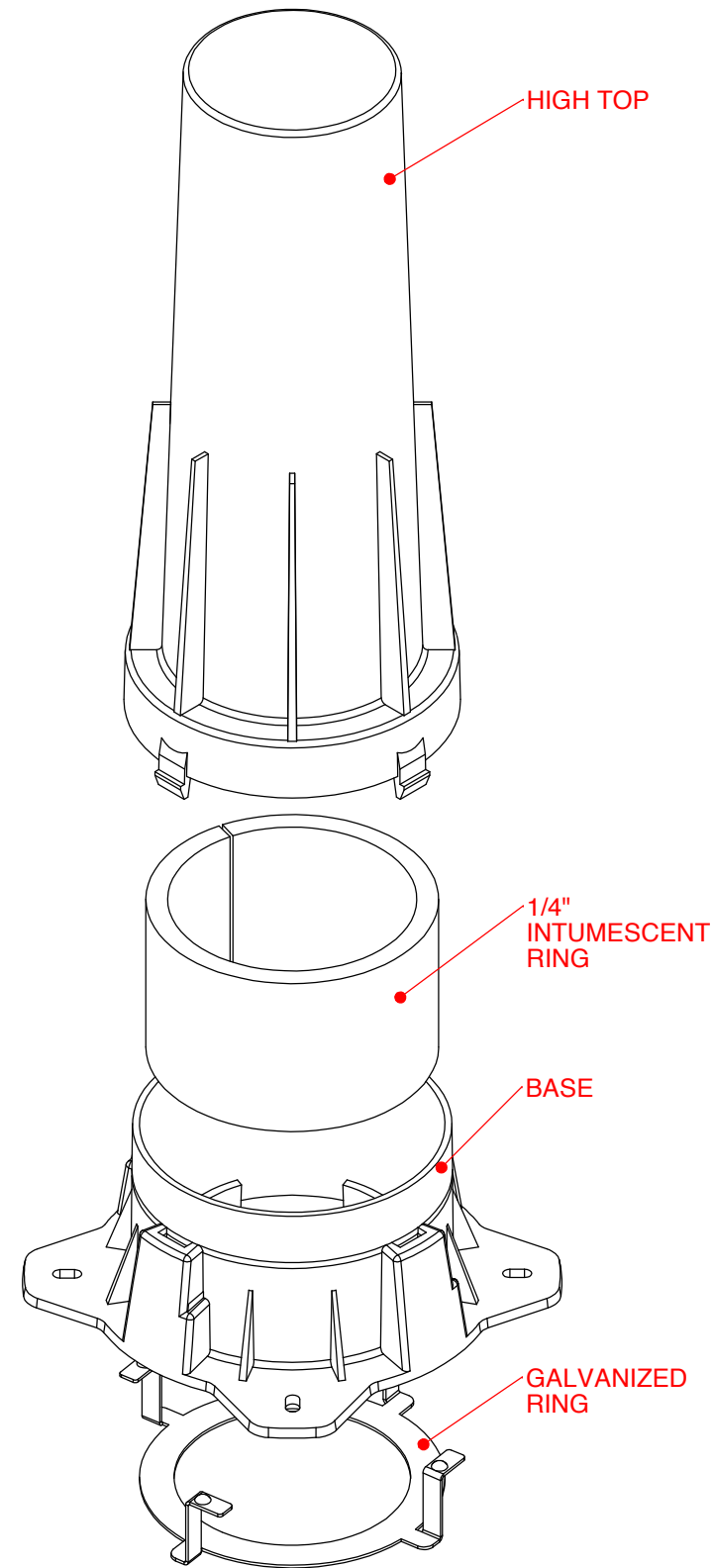
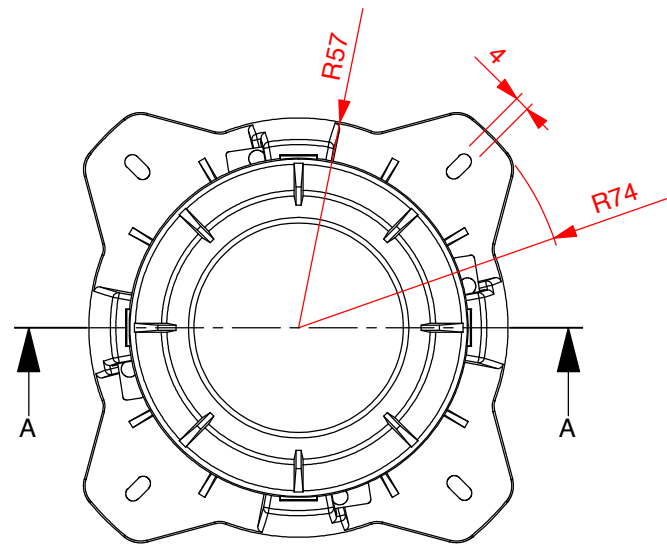


DESCRIPTION	
CODE	FINISH
CIFC50S	PLASTIC



REVISION	CHANGE	DESCRIPTION	SL	XXX

DO NOT SCALE DRAWING		TITLE
REQUESTED	DATE	50MM CAST-IN FIRE COLLAR
DRAWN	DATE	
APPROVED	DATE	
MATERIAL		APPLICABLE STANDARD(S):
PP GALV STEEL		DRAWING REF NUMBER
A3		ALLCIFC50S
UNITS = MM		SCALE (UOS) 1:2
		SHEET 3 OF 3

DISCLAIMER - THE DESIGN SUGGESTION IS PROVIDED FOR EVALUATION PURPOSES ONLY.  
IT IS NOT TO BE CONSIDERED A FULL DESIGN AS WE ARE NOT THE CONSULTING ENGINEERS, WE ARE MANUFACTURERS. WE ARE NOT PRIVY TO ALL THE INFORMATION PERTAINING TO THIS MATTER AND WE HAVE NO CONTROL OVER THE PROJECT INSTALLATION OF THE PRODUCT. THE DESIGN SUGGESTION IS PROVIDED WITHOUT OBLIGATION. DESIGN IS TO BE CONFIRMED AND APPROVED BY THE ARCHITECT, HYDRAULICS ENGINEER, OR PROJECT MANAGER. ACCURATE MEASUREMENTS SHOULD BE CONFIRMED BY THE PERSON APPROVING THE DESIGN. ALLPROOF ACCEPTS NO LIABILITY FOR THE IMPROPER USE OF THE DESIGN SUGGESTION.

TOOL NUMBER	0.0
PART WEIGHT(GRAMS)	0.0
FILE	S/CAD FILES/2017/DIVERSE