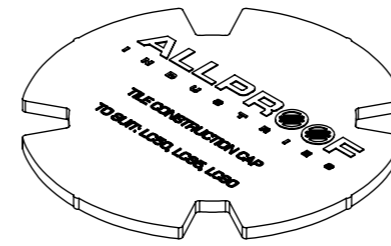
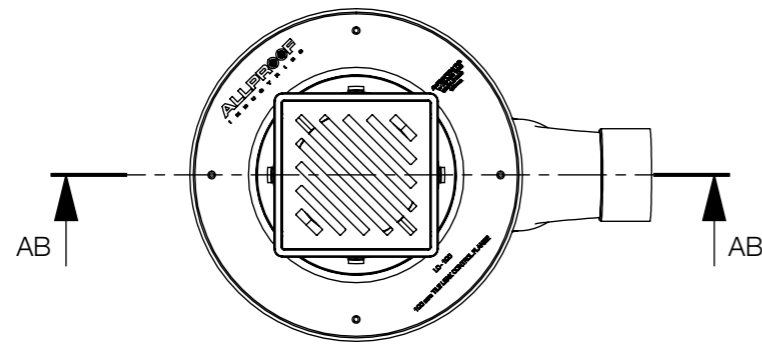
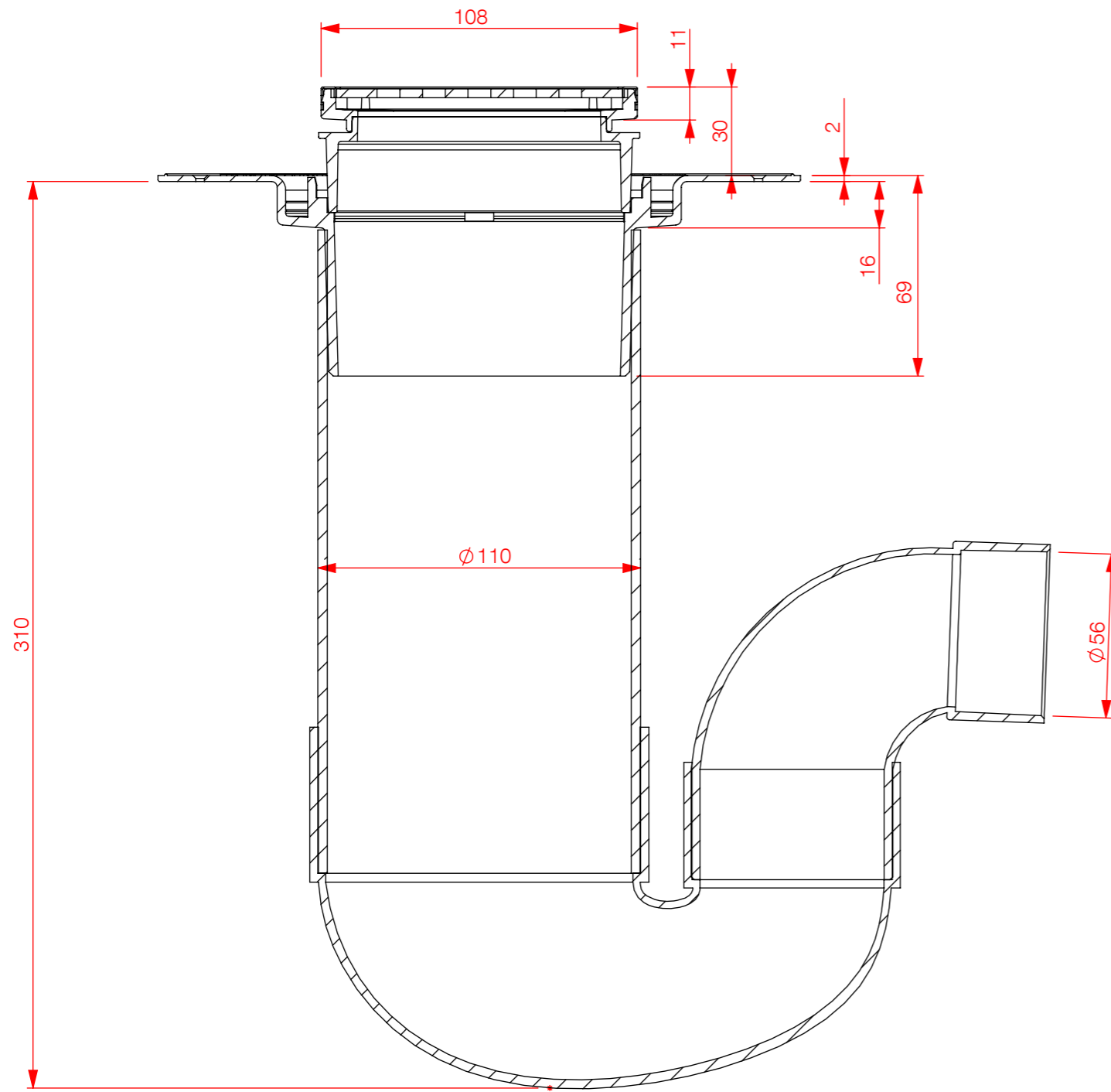


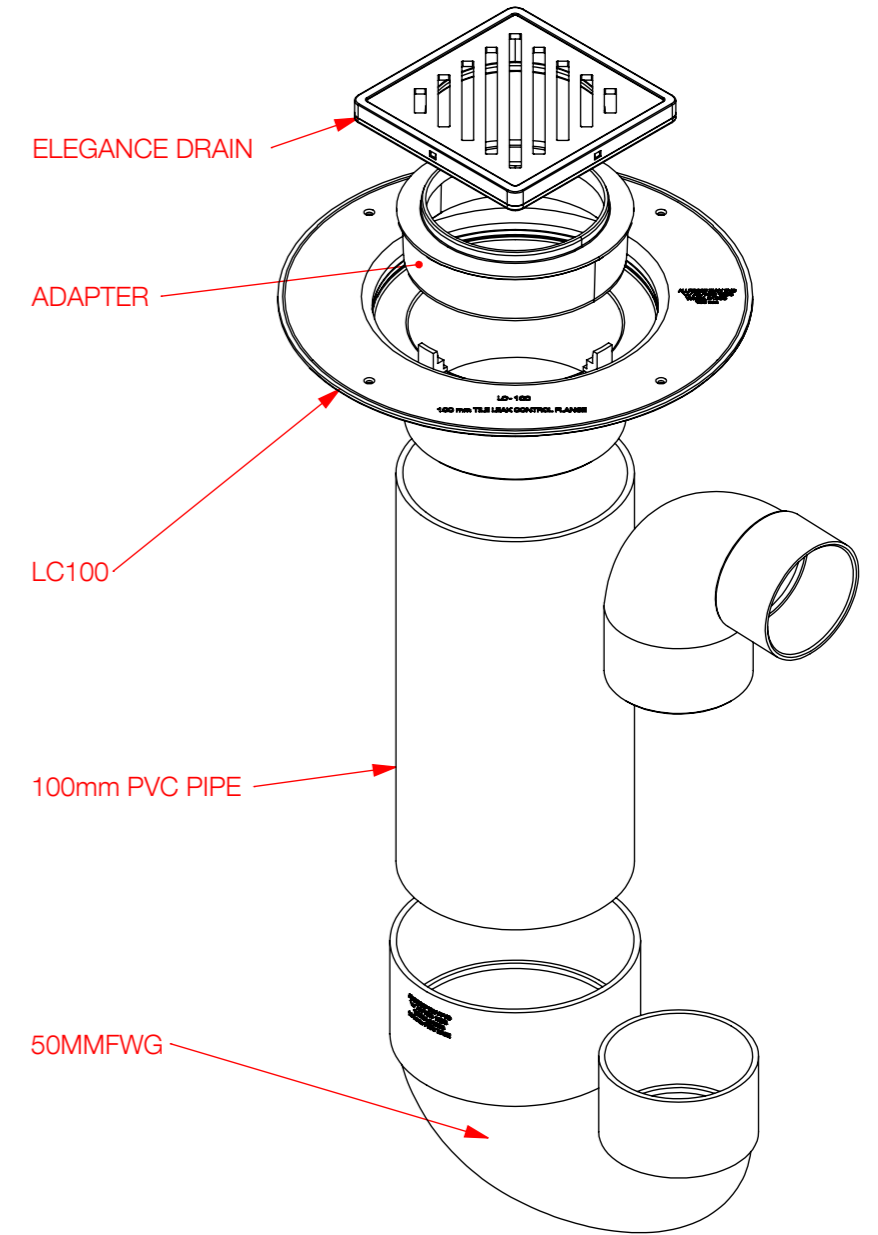
DESCRIPTION	
CODE	FINISH
TK100SS6	STAINLESS STEEL



CONSTRUCTION CAP



SECTION AB-AB  
SCALE 1 : 2



REVISION	CHANGE	DESCRIPTION	SL	DATE
XXX	XXX	XXX	SL	XXX
DO NOT SCALE DRAWING		TITLE		
REQUESTED	XXX	DATE	TILE KIT WITH 100mm STAINLESS STEEL DIAGONAL GRATE	
DRAWN	S.L.	DATE		
APPROVED		DATE	APPLICABLE STANDARD(S): NZS1260	
MATERIAL		DRAWING REF NUMBER		
XXX		TK100SS6		
A3	UNITS = MM	SCALE (UOS)	NTS	SHEET 11 OF 12

DISCLAIMER : THE DESIGN SUGGESTION IS PROVIDED FOR EVALUATION PURPOSES ONLY.  
IT IS NOT TO BE CONSIDERED A FULL DESIGN AS WE ARE NOT THE CONSULTING ENGINEERS, WE ARE MANUFACTURERS, WE ARE NOT PRIVY TO ALL THE INFORMATION PERTAINING TO THIS MATTER AND WE HAVE NO CONTROL OVER THE PROJECT INSTALLATION OF THE PRODUCT, THE DESIGN SUGGESTION IS PROVIDED WITHOUT OBLIGATION.  
DESIGN IS TO BE CONFIRMED AND APPROVED BY THE ARCHITECT, HYDRAULICS ENGINEER, OR PROJECT MANAGER. ACCURATE MEASUREMENTS SHOULD BE CONFIRMED BY THE PERSON APPROVING THE DESIGN. ALLPROOF ACCEPTS NO LIABILITY FOR THE IMPROPER USE OF THE DESIGN SUGGESTION.

TOOL NUMBER
PART WEIGHT(GRAMS)
FILE S:\CAD FILES\2017\DIVERSE\ELEGANCE KIT