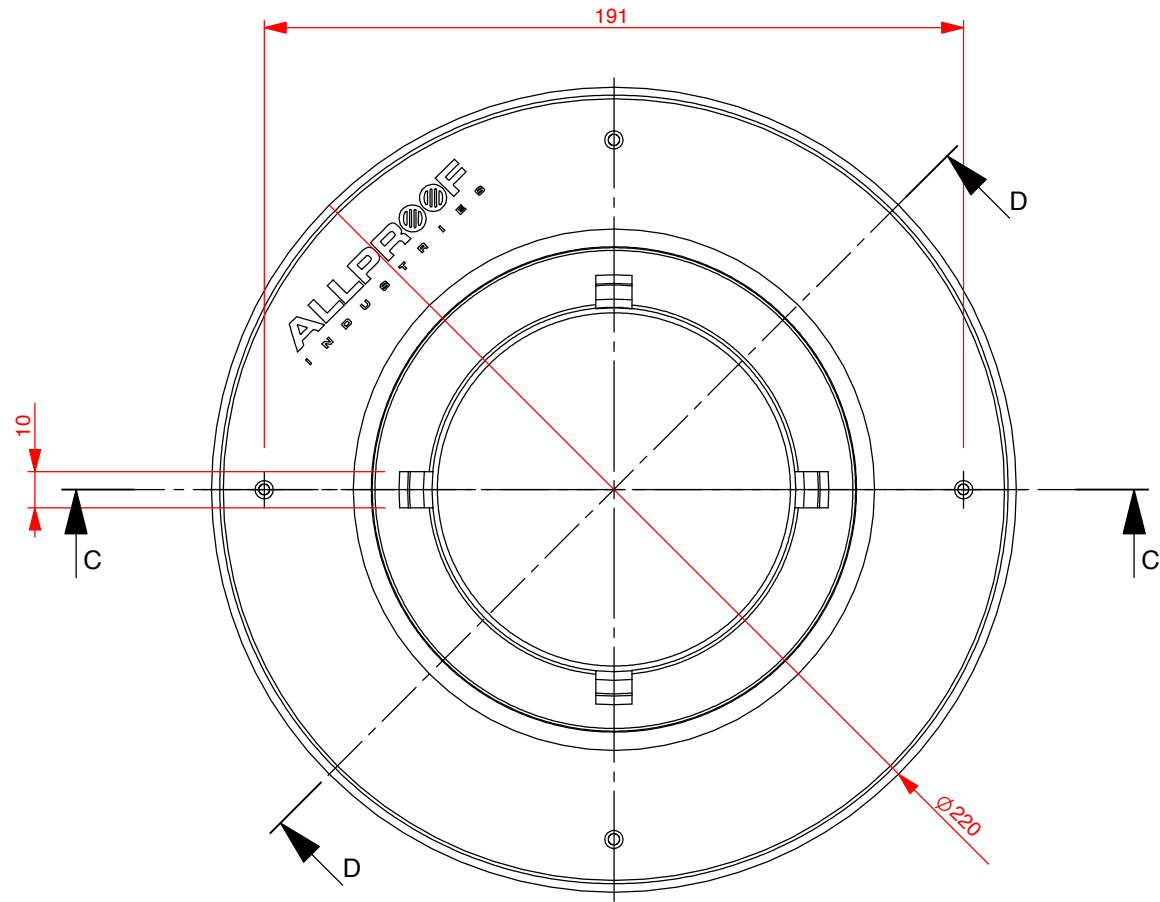
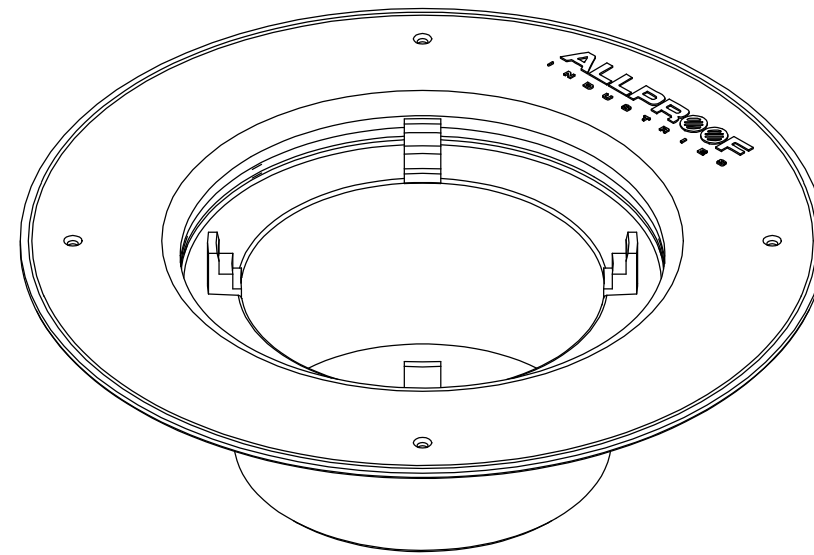


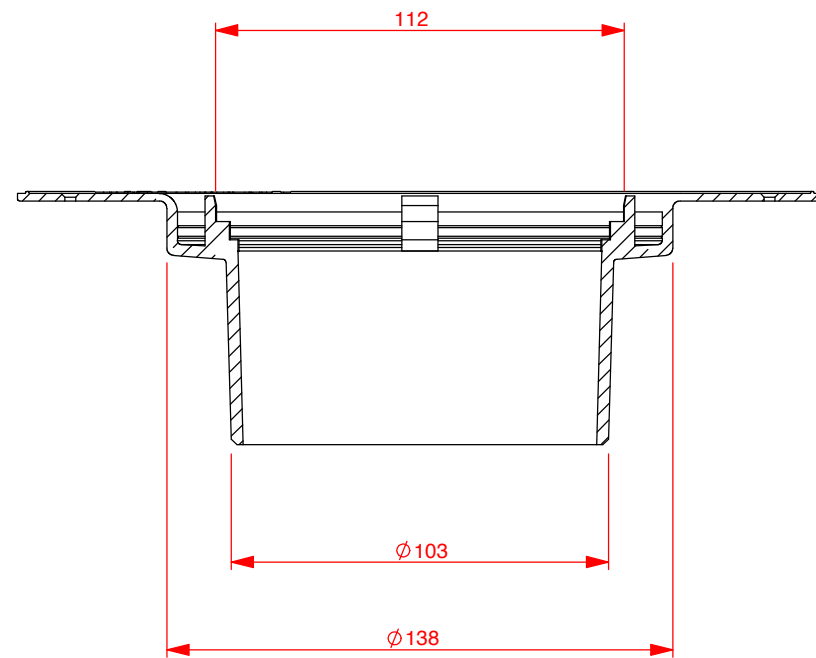
DESCRIPTION	
CODE	FINISH
LC100	PVC



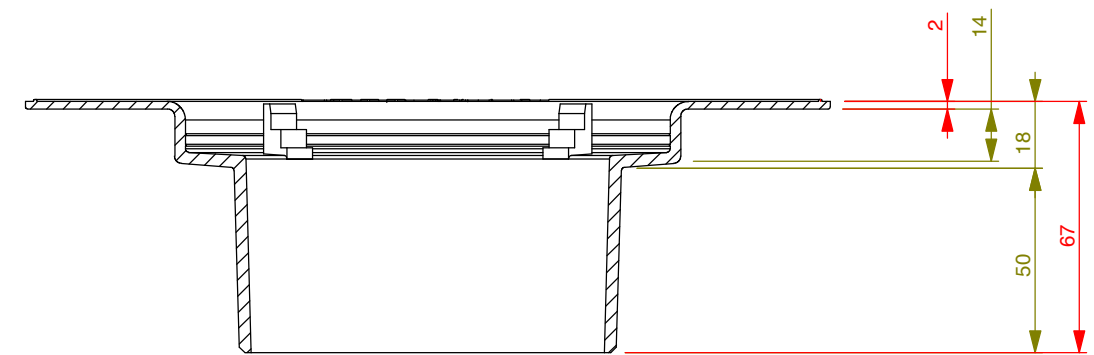
TOP VIEW



ISOMETRIC VIEW



SECTION C-C



SECTION D-D

REVISION	CHANGE	DESCRIPTION	SL	DATE
XXX	XXX	XXX	SL	XXX
DO NOT SCALE DRAWING		TITLE		
REQUESTED	XXX	DATE	100mm LEAK CONTROL FLANGE	
DRAWN	S.L.	DATE	APPLICABLE STANDARD(S):AS/NZS1260	
APPROVED		DATE	DRAWING REF NUMBER	
MATERIAL		PVC		LC100
TOOL NUMBER		101		
PART WEIGHT(GRAMS)		193		
FILE		S/CAD FILES/2017/DIVERSE/PVC FLANGES/LC FLANGES		SHEET 1 OF 5
A3	UNITS = MM	SCALE (UOS)	1:2	

DISCLAIMER - THE DESIGN SUGGESTION IS PROVIDED FOR EVALUATION PURPOSES ONLY.
IT IS NOT TO BE CONSIDERED A FULL DESIGN AS WE ARE NOT THE CONSULTING ENGINEERS, WE ARE MANUFACTURERS. WE ARE NOT PRIVY TO ALL THE INFORMATION PERTAINING TO THIS MATTER AND WE HAVE NO CONTROL OVER THE PROJECT INSTALLATION OF THE PRODUCT. THE DESIGN SUGGESTION IS PROVIDED WITHOUT OBLIGATION. DESIGN IS TO BE CONFIRMED AND APPROVED BY THE ARCHITECT, HYDRAULICS ENGINEER, OR PROJECT MANAGER. ACCURATE MEASUREMENTS SHOULD BE CONFIRMED BY THE PERSON APPROVING THE DESIGN. ALLPROOF ACCEPTS NO LIABILITY FOR THE IMPROPER USE OF THE DESIGN SUGGESTION.