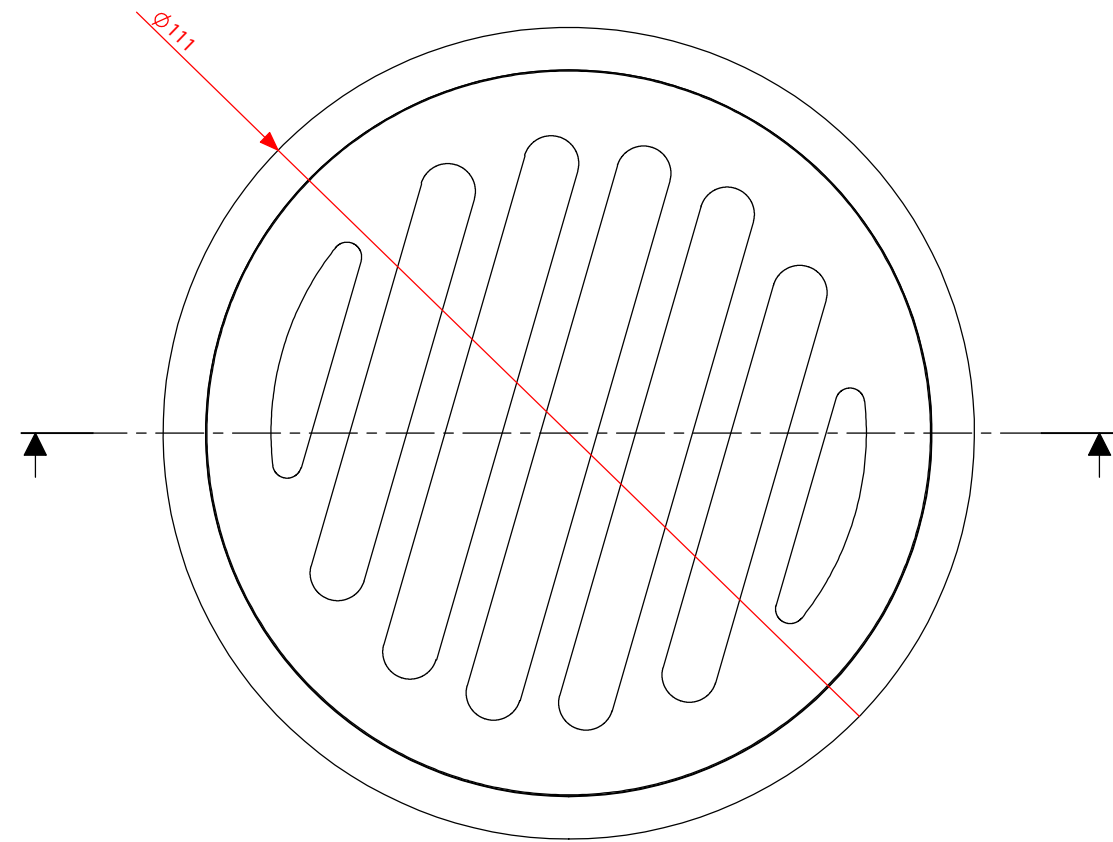
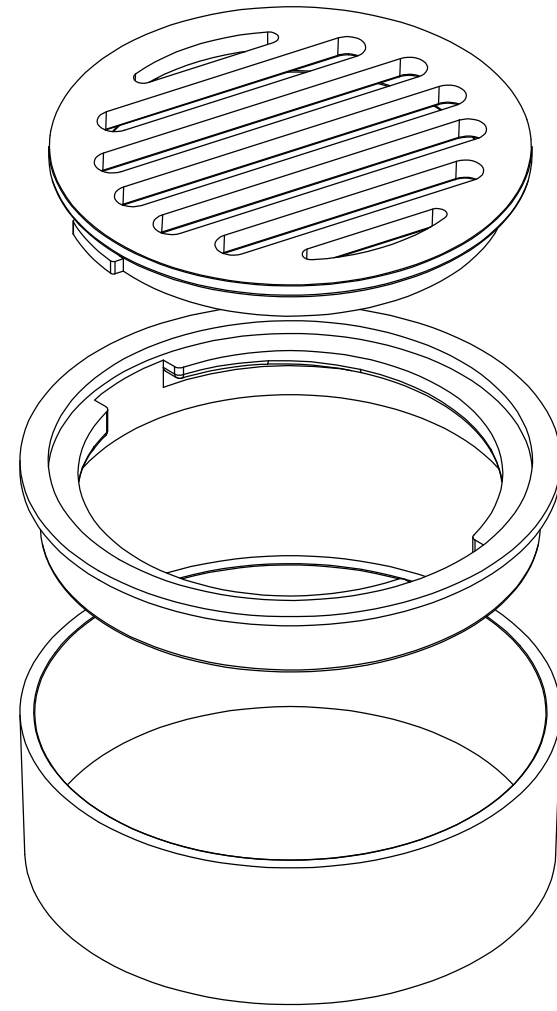


DESCRIPTION

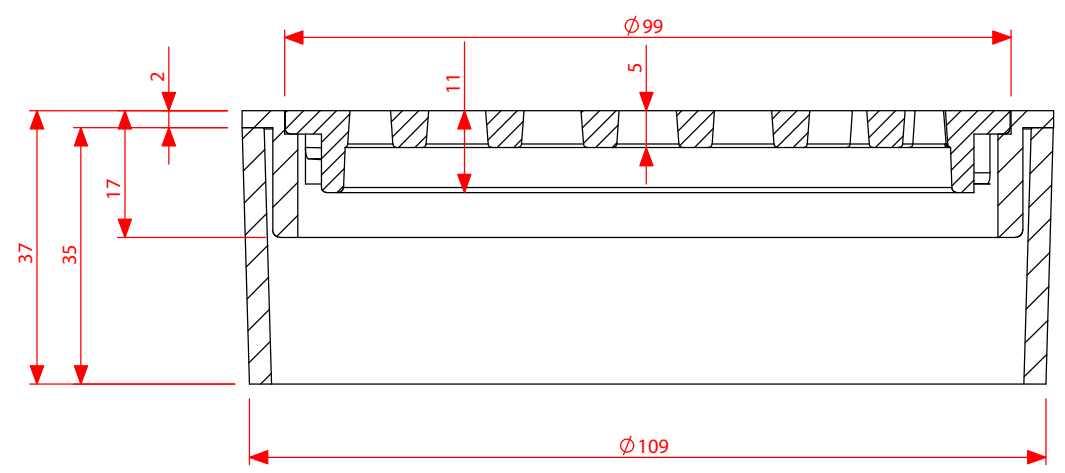
CODE	FINISH
168.100RCPT	CHROME ON BRASS
168.100RPB	POLISHED BRASS



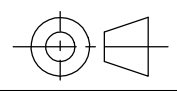
TOP VIEW



EXPLODED VIEW



SECTION C-C
SCALE 1:1

REVISIONS	CHANGES	DRAWN	DATE	DO NOT SCALE DRAWING		TITLE		
				REQUESTED K.A	DATE MARCH 2014	100MM ROUND CHROME ON BRASS GRATE WITH SPIGOT FOR TILE		
				DRAWN S.L.	DATE MARCH 2014			
				APPROVED	DATE			
				MATERIAL		APPLICABLE STANDARD(S):		
		S.L.	XXX	BRASS		PART NUMBER 168.100RCPT		
				TOOL NUMBER 0.0				
				PART WEIGHT(GRAMS) 0.0				
				FILE S\CAD FILES\2014\DIVERSE\168.100RCPT	A3	UNITS = MM	SCALE 1 : 1 (UOS)	SHEET 1 OF 1

DISCLAIMER : THE DESIGN SUGGESTION IS PROVIDED FOR EVALUATION PURPOSES ONLY.
IT IS NOT TO BE CONSIDERED A FULL DESIGN AS WE ARE NOT THE CONSULTING ENGINEERS, WE ARE MANUFACTURERS. WE ARE NOT PRIVY TO ALL THE INFORMATION PERTAINING TO THIS MATTER AND WE HAVE NO CONTROL OVER THE PROJECT INSTALLATION OF THE PRODUCT. THE DESIGN SUGGESTION IS PROVIDED WITHOUT OBLIGATION.
DESIGN IS TO BE CONFIRMED AND APPROVED BY THE ARCHITECT, HYDRAULICS ENGINEER, OR PROJECT MANAGER. ACCURATE MEASUREMENTS SHOULD BE CONFIRMED BY THE PERSON APPROVING THE DESIGN. ALLPROOF ACCEPTS NO LIABILITY FOR THE IMPROPER USE OF THE DESIGN SUGGESTION.