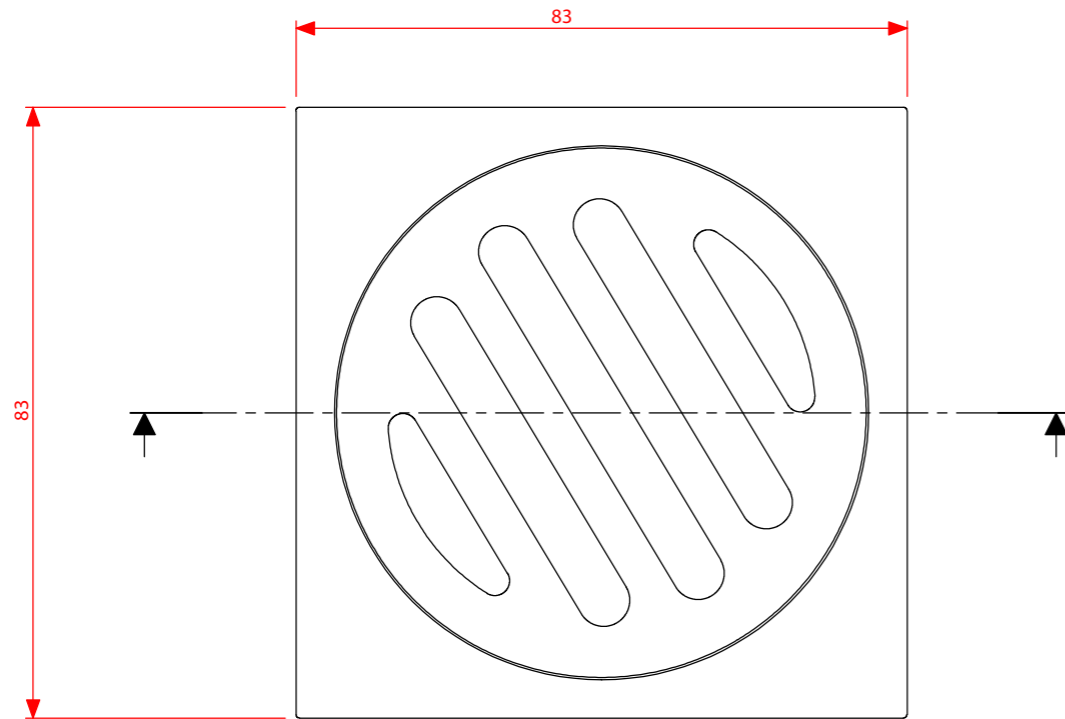
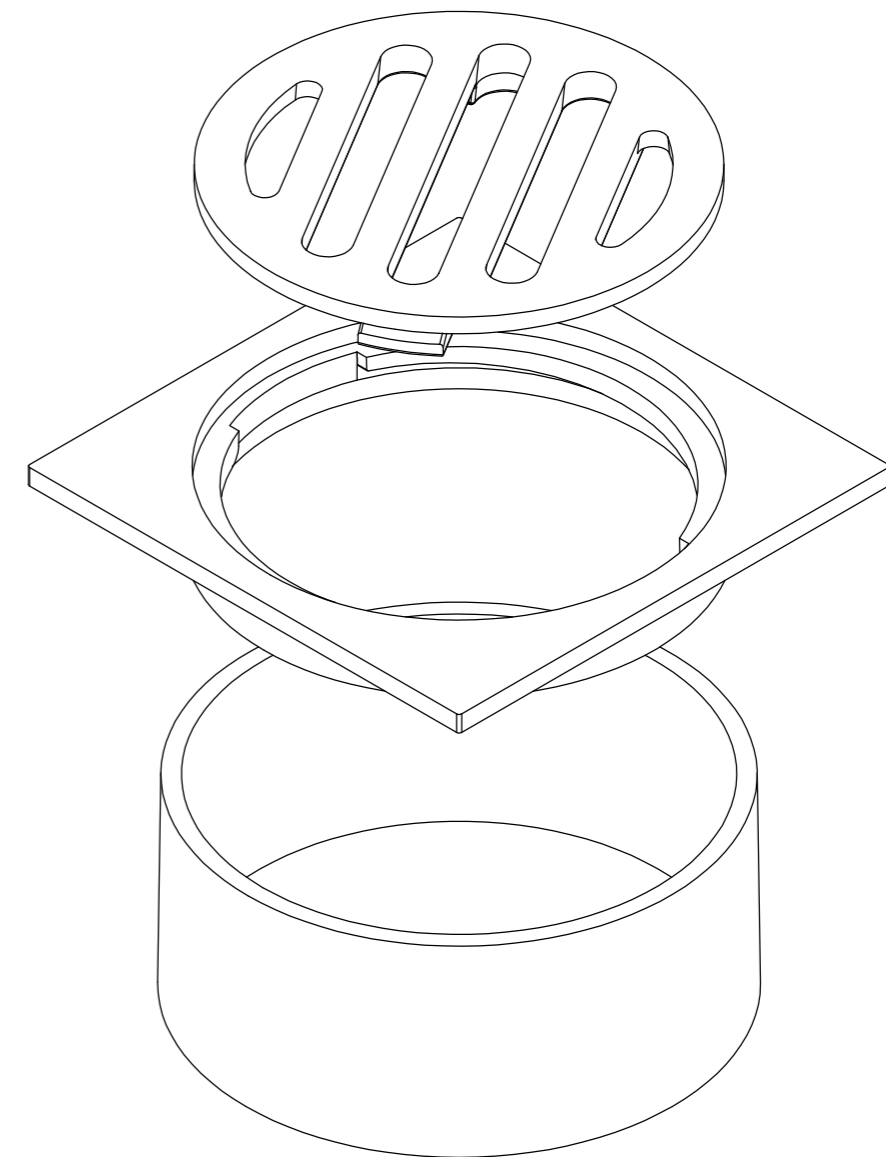


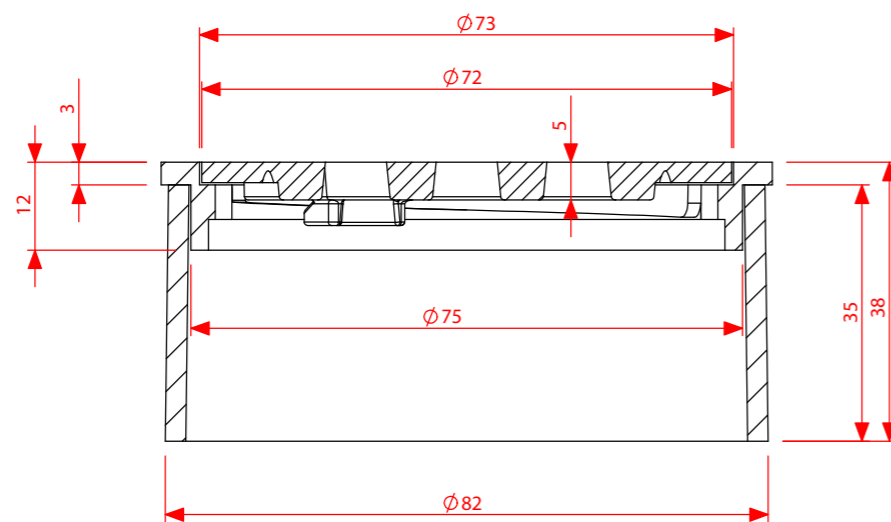
DESCRIPTION	
CODE	FINISH
168.80SCPT	CHROME ON BRASS
168.80SPB	POLISHED BRASS



TOP VIEW



EXPLODED VIEW



SECTION C-C

REVISIONS	CHANGES	DRAWN	DATE	DO NOT SCALE DRAWING		TITLE
				REQUESTED K.A.	DATE MARCH 2014	80MM SQUARE CHROME ON BRASS GRATE WITH SPIGOT FOR TILE
				DRAWN S.L.	DATE MARCH 2014	
				APPROVED	DATE	
				MATERIAL		APPLICABLE STANDARD(S):
XXX	XXX	S.L.	XXX	BRASS		PART NUMBER
TOOL NUMBER				0.0		168.80SCPT
PART WEIGHT(GRAMS)				0.0		
FILE	S/CAD FILES/2014/DIVERSE/168.80SCPT			A3	UNITS = MM	
						SHEET 1 OF 1

DISCLAIMER : THE DESIGN SUGGESTION IS PROVIDED FOR EVALUATION PURPOSES ONLY.  
IT IS NOT TO BE CONSIDERED A FULL DESIGN AS WE ARE NOT THE CONSULTING ENGINEERS. WE ARE NOT PRIVY TO ALL THE INFORMATION PERTAINING TO THIS MATTER AND WE HAVE NO CONTROL OVER THE PROJECT INSTALLATION OF THE PRODUCT. THE DESIGN SUGGESTION IS PROVIDED WITHOUT OBLIGATION. DESIGN IS TO BE CONFIRMED AND APPROVED BY THE ARCHITECT, HYDRAULICS ENGINEER, OR PROJECT MANAGER. ACCURATE MEASUREMENTS SHOULD BE CONFIRMED BY THE PERSON APPROVING THE DESIGN. ALLPROOF ACCEPTS NO LIABILITY FOR THE IMPROPER USE OF THE DESIGN SUGGESTION.