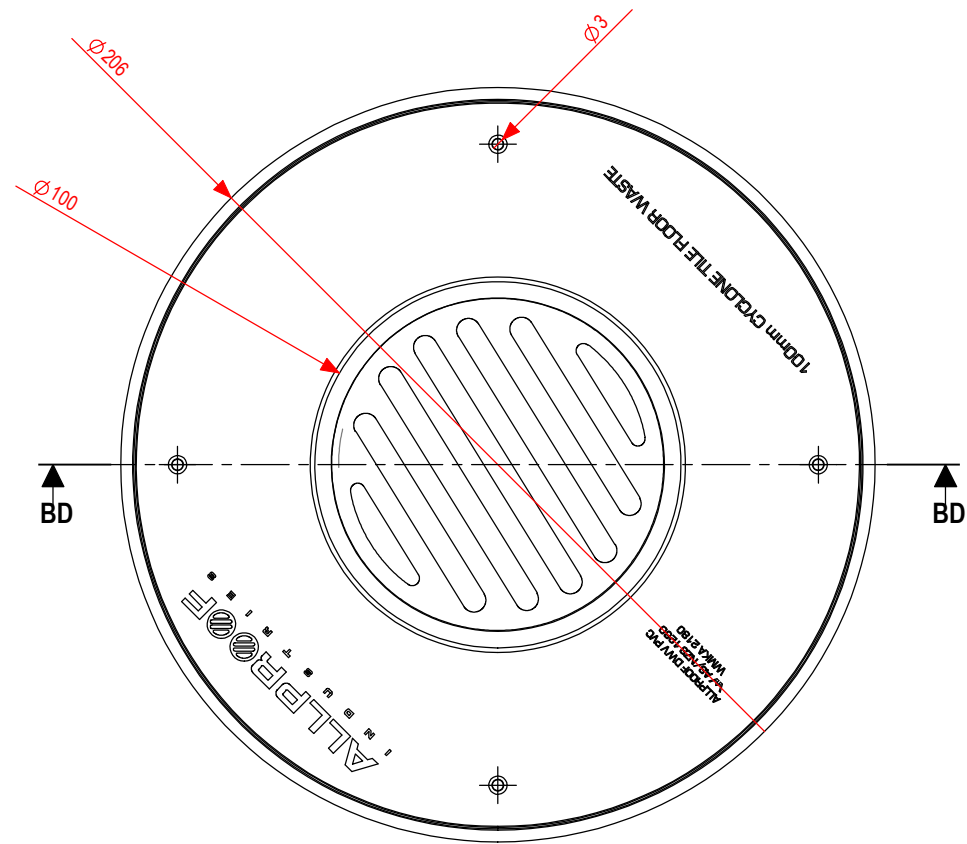
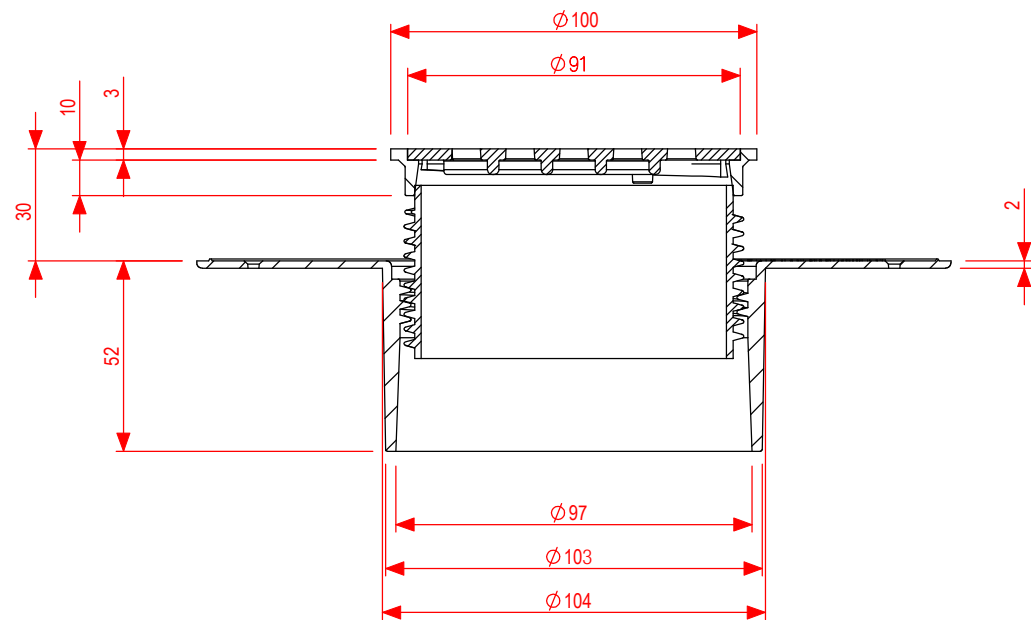


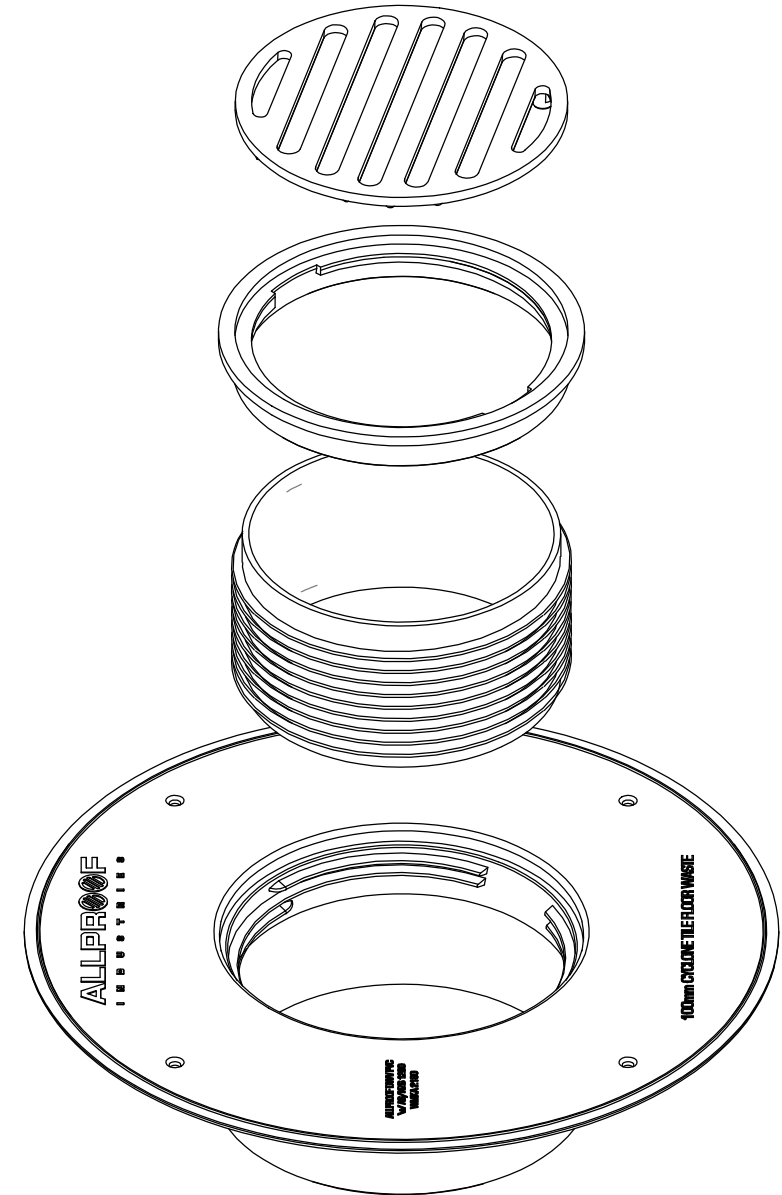
DESCRIPTION	
CODE	FINISH
CYC100RC	CHOMRE ON BRASS



TOP VIEW



SECTION BD-BD



ISOMETRIC VIEW (EXPLODED)

DISCLAIMER : THE DESIGN SUGGESTION IS PROVIDED FOR EVALUATION PURPOSES ONLY.
IT IS NOT TO BE CONSIDERED A FULL DESIGN AS WE ARE NOT THE CONSULTING ENGINEERS, WE ARE MANUFACTURERS. WE ARE NOT PRIVY TO ALL THE INFORMATION PERTAINING TO THIS MATTER AND WE HAVE NO CONTROL OVER THE PROJECT INSTALLATION OF THE PRODUCT. THE DESIGN SUGGESTION IS PROVIDED WITHOUT OBLIGATION. DESIGN IS TO BE CONFIRMED AND APPROVED BY THE ARCHITECT, HYDRAULICS ENGINEER, OR PROJECT MANAGER. ACCURATE MEASUREMENTS SHOULD BE CONFIRMED BY THE PERSON APPROVING THE DESIGN. ALLPROOF ACCEPTS NO LIABILITY FOR THE IMPROPER USE OF THE DESIGN SUGGESTION.

REVISIONS	CHANGES	DRAWN	DATE	DO NOT SCALE DRAWING		TITLE
				REQUESTED	DATE	100MM CYCLONE TILE WASTE ROUND CHROME
				AJ	10.8.2010	
				DRAWN	DATE	APPLICABLE STANDARD(S):
				S.L.	15.8.2010	
				APPROVED	DATE	PART NUMBER CYC100RC
XXX	XXX	S.L.	XXX	MATERIAL		SCALE 1 : 2 (UOS)
TOOL NUMBER				TBC		
PART WEIGHT(GRAMS)				TBC		SHEET 1 OF 1
FILE				S\CAD FILES\2014\DIVERSE\CYC100RC		
				A3	UNITS = MM	

