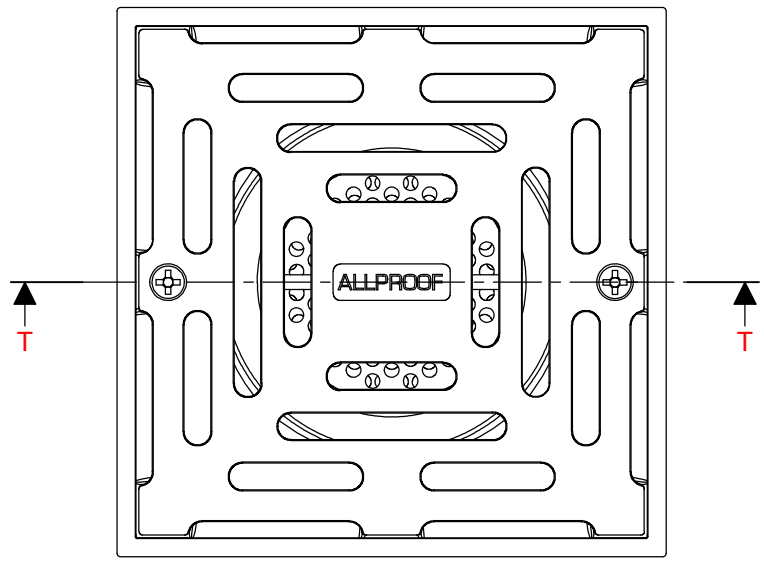
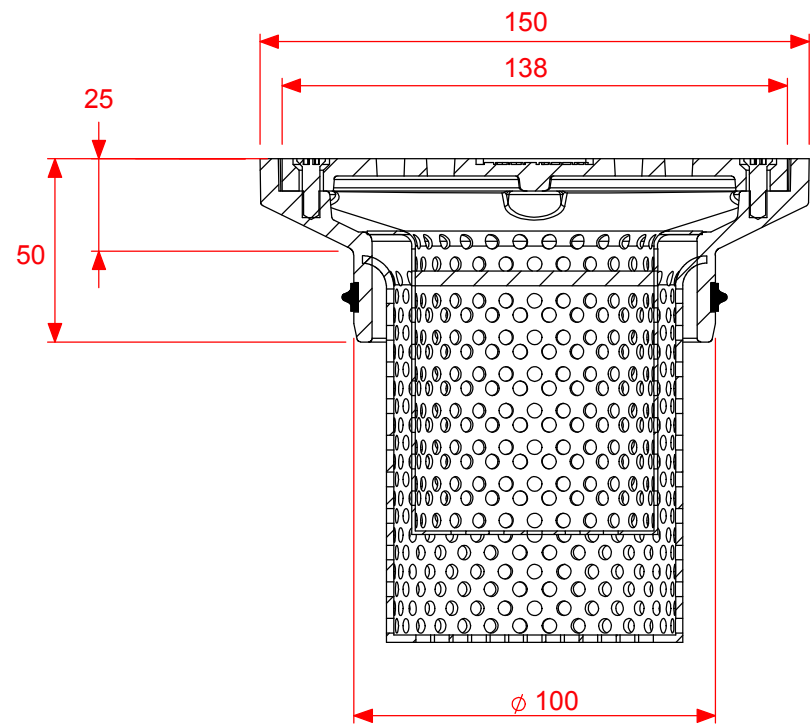


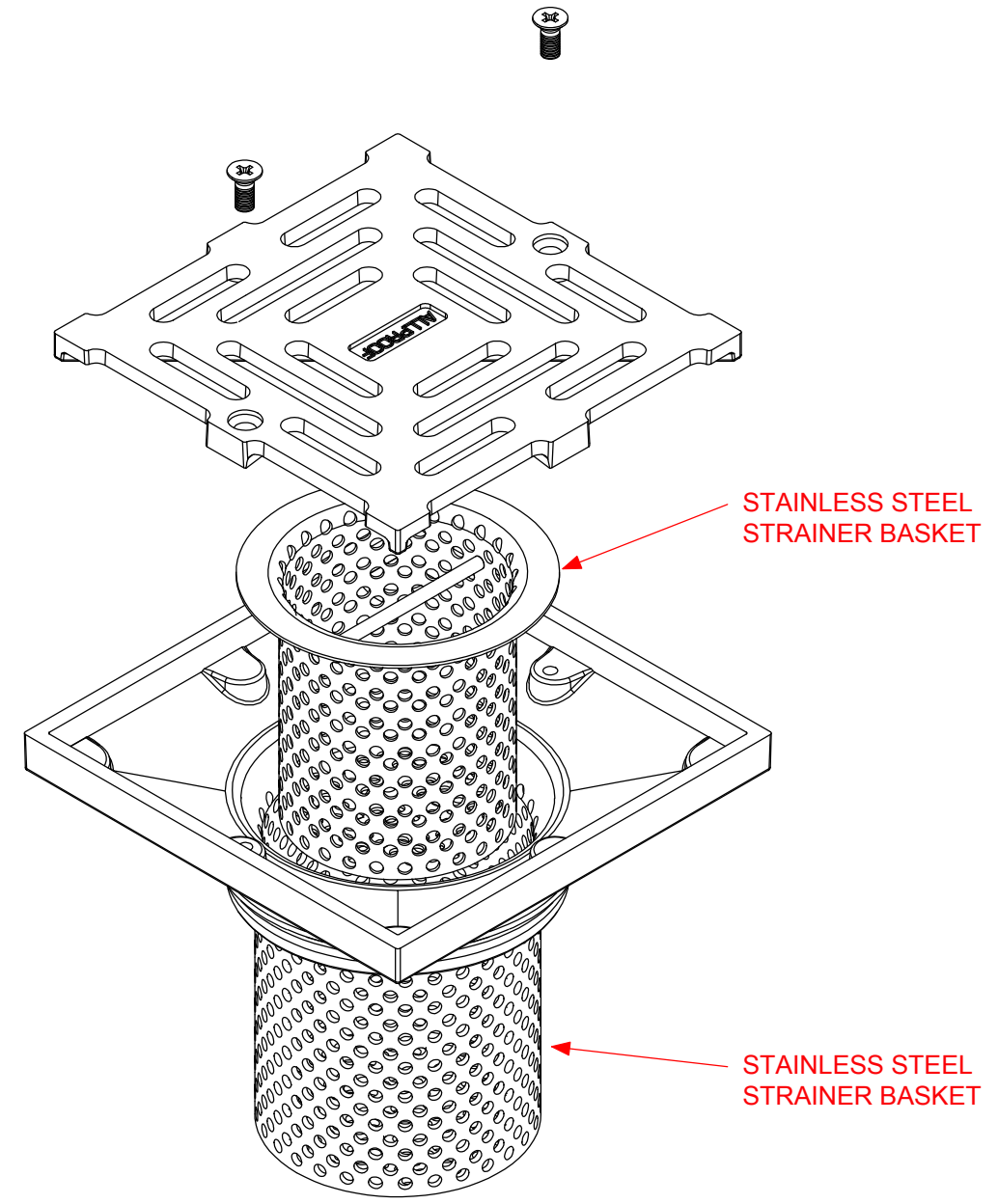
DESCRIPTION	
CODE	FINISH
168.150.100SSS DS	STAINLESS STEEL



TOP VIEW



SECTION T-T



REVISIONS	CHANGES	DRAWN	DATE	DO NOT SCALE DRAWING		TITLE		
				REQUESTED	DATE	150MM SQUARE SS DRAIN WITH DOUBLE STRAINER TO SUIT 100MM PIPE		
				A.J	10.8.2010			
				DRAWN	DATE	APPLICABLE STANDARD(S):		
				S.L.	15.8.2010			
				APPROVED	DATE	PART NUMBER		
							168.150.100SNBDS	
				XXX	XXX	MATERIAL		
						NICKEL - BRONZE		
				TOOL NUMBER		TBC	SCALE 1 : 2 (UOS)	
				PART WEIGHT(GRAMS)		TBC		
				FILE	S/CAD FILES/2014/DIVERSE/168.150.100SSS H DS	A3	UNITS = MM	SHEET 3 OF 3

DISCLAIMER: THE DESIGN SUGGESTION IS PROVIDED FOR EVALUATION PURPOSES ONLY. IT IS NOT TO BE CONSIDERED A FULL DESIGN AS WE ARE NOT THE CONSULTING ENGINEERS. WE ARE MANUFACTURERS. WE ARE NOT PRIVY TO ALL THE INFORMATION PERTAINING TO THIS MATTER AND WE HAVE NO CONTROL OVER THE PROJECT INSTALLATION OF THE PRODUCT. THE DESIGN SUGGESTION IS PROVIDED WITHOUT OBLIGATION. DESIGN IS TO BE CONFIRMED AND APPROVED BY THE ARCHITECT, HYDRAULICS ENGINEER, OR PROJECT MANAGER. ACCURATE MEASUREMENTS SHOULD BE CONFIRMED BY THE PERSON APPROVING THE DESIGN. ALLPROOF ACCEPTS NO LIABILITY FOR THE IMPROPER USE OF THE DESIGN SUGGESTION.