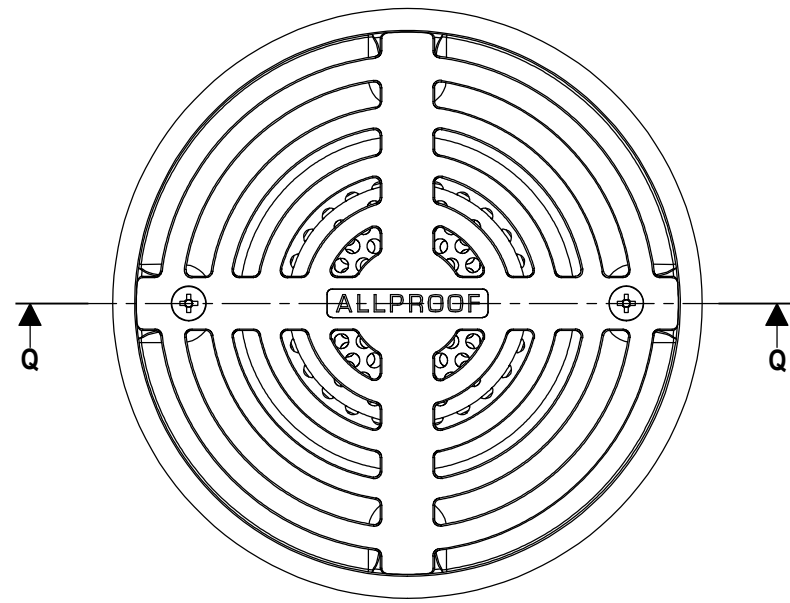
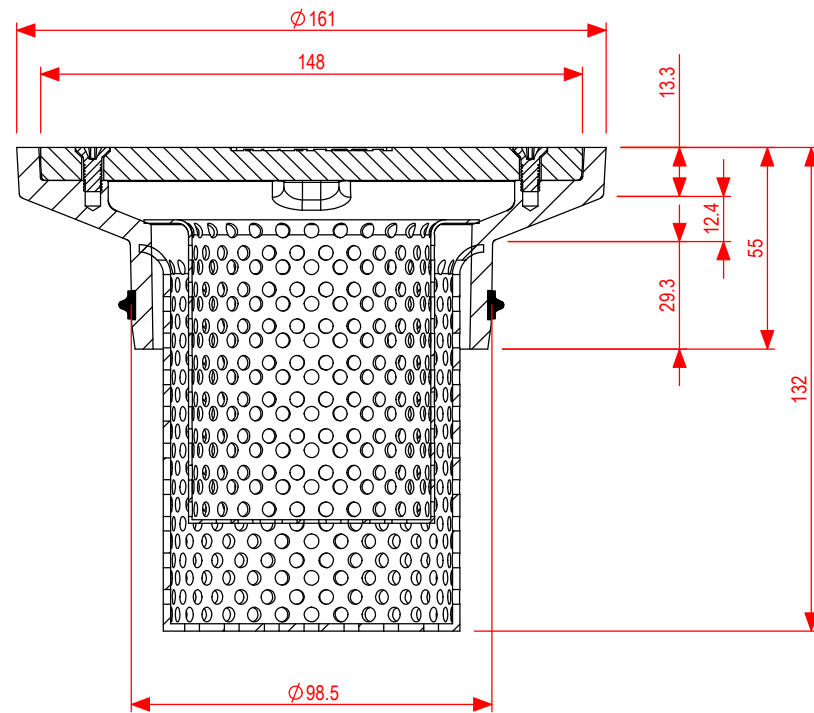


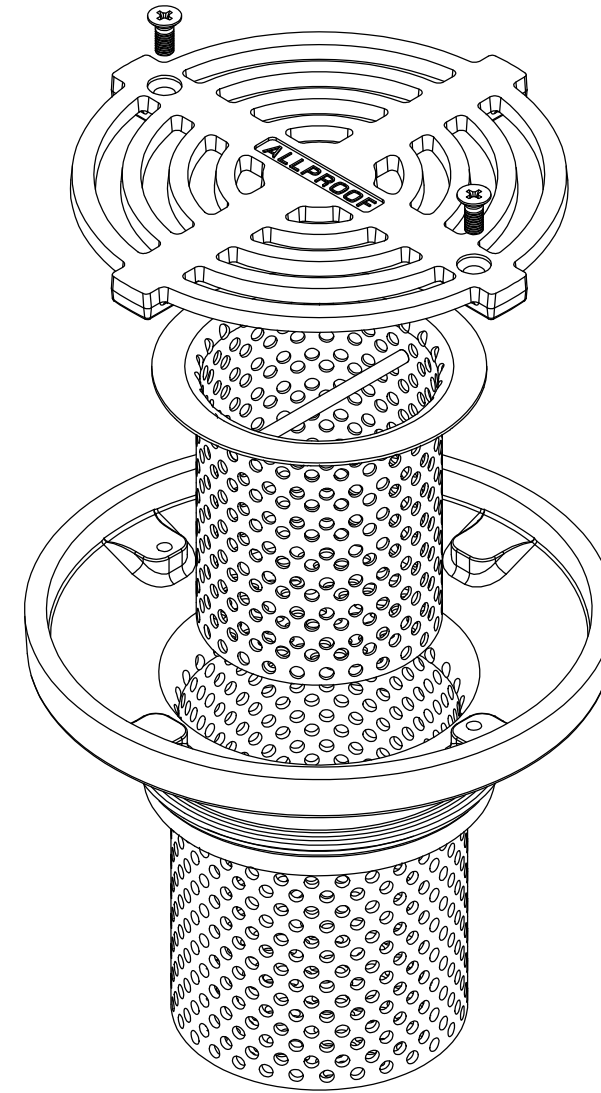
DESCRIPTION	
CODE	FINISH
168.150.100RSS DS	STAINLESS STEEL



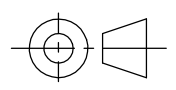
TOP VIEW



SECTION Q-Q



EXPLODED VIEW

REVISIONS	CHANGES	DRAWN	DATE	DO NOT SCALE DRAWING		TITLE
				REQUESTED	DATE	150MM ROUND SS DRAIN WITH DOUBLE STRAINER TO SUIT 100MM PIPE
				A.J	10.8.2010	
				DRAWN	DATE	APPLICABLE STANDARD(S):
				S.L.	15.8.2010	
				APPROVED	DATE	PART NUMBER
XXX	XXX	S.L.	XXX	MATERIAL		
TOOL NUMBER		TBC				
PART WEIGHT(GRAMS)		TBC				SCALE 1 : 2 (UOS)
FILE	S\CAD FILES\2014\DIVERSE\168.150.100R SS DS			A3	UNITS = MM	SHEET 1 OF 1

DISCLAIMER - THE DESIGN SUGGESTION IS PROVIDED FOR EVALUATION PURPOSES ONLY.
 IT IS NOT TO BE CONSIDERED A FULL DESIGN AS WE ARE NOT THE CONSULTING ENGINEERS. WE ARE MANUFACTURERS. WE ARE NOT PRIVY TO ALL THE INFORMATION PERTAINING TO THIS MATTER AND WE HAVE NO CONTROL OVER THE PROJECT INSTALLATION OF THE PRODUCT. THE DESIGN SUGGESTION IS PROVIDED WITHOUT OBLIGATION. DESIGN IS TO BE CONFIRMED AND APPROVED BY THE ARCHITECT, HYDRAULICS ENGINEER, OR PROJECT MANAGER. ACCURATE MEASUREMENTS SHOULD BE CONFIRMED BY THE PERSON APPROVING THE DESIGN. ALLPROOF ACCEPTS NO LIABILITY FOR THE IMPROPER USE OF THE DESIGN SUGGESTION.