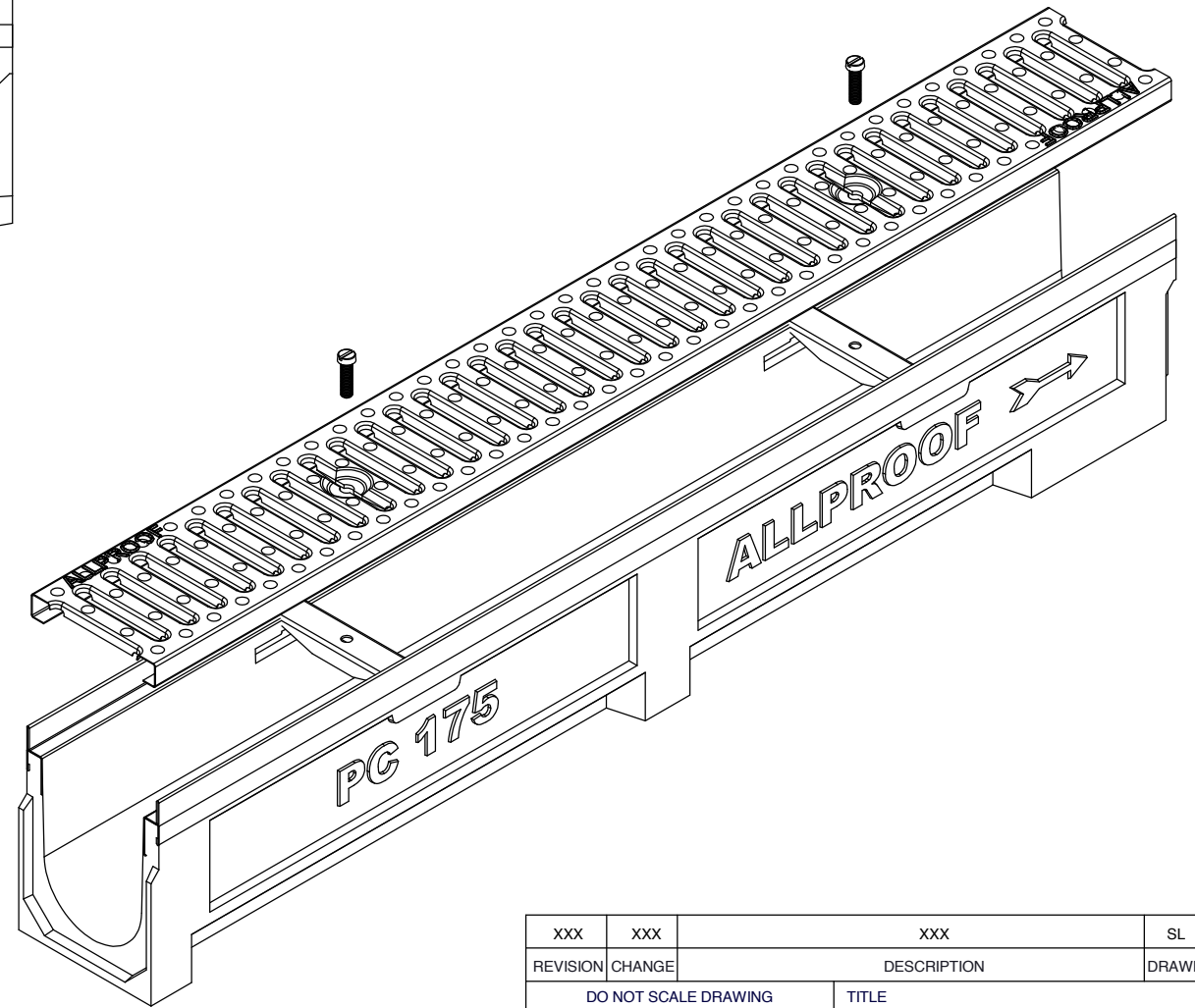
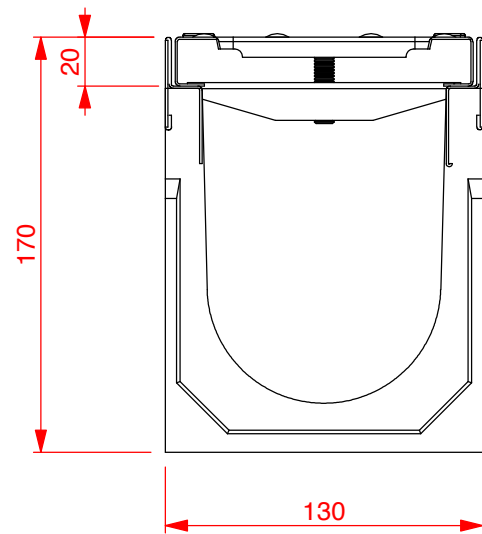
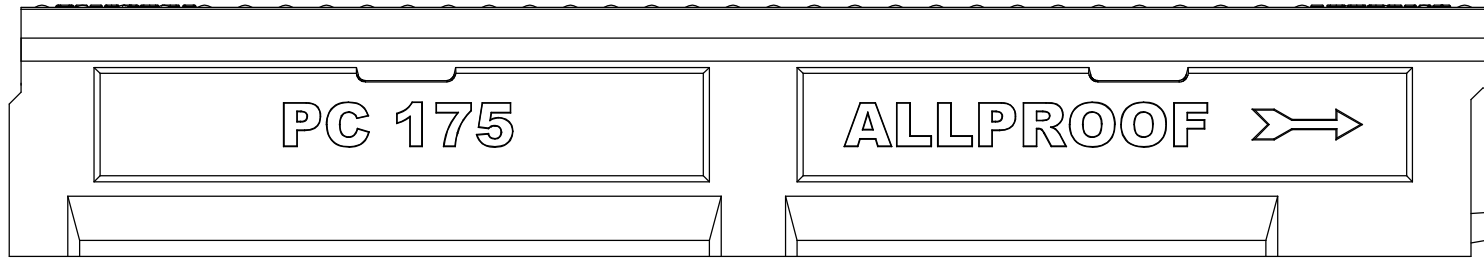
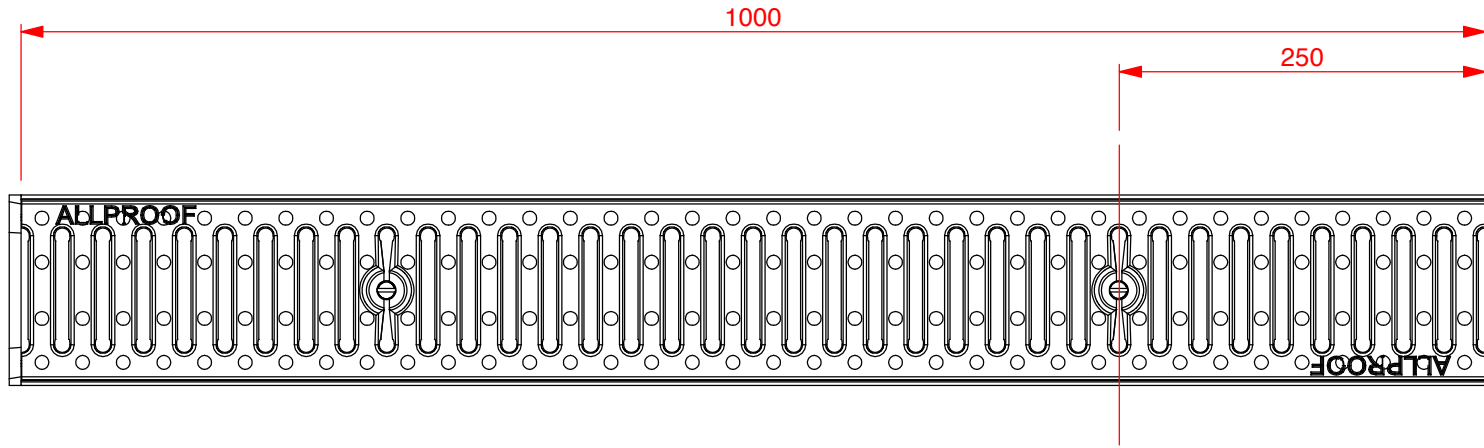


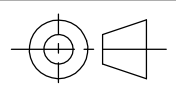
DESCRIPTION

CODE	FINISH
PC175SS	STAINLESS STEEL
PC175GS	GALVANISED STEEL



REVISION	CHANGE	DESCRIPTION	SL	DATE
XXX	XXX	XXX	SL	XXX

DO NOT SCALE DRAWING		TITLE
REQUESTED	DATE	PC175 CHANNEL PRESSED GRATE
XXX	XXX	
DRAWN	DATE	APPLICABLE STANDARD(S):
S.L.	XXX	
APPROVED	DATE	

MATERIAL	DRAWING REF NUMBER	
PC, STAINLESS STEEL/ GALVANIZED STEEL	PC175SS/ PC175GS	
FILE	UNITS = MM	SHEET 6 OF 9

DISCLAIMER - THE DESIGN SUGGESTION IS PROVIDED FOR EVALUATION PURPOSES ONLY.
IT IS NOT TO BE CONSIDERED A FULL DESIGN AS WE ARE NOT THE CONSULTING ENGINEERS. WE ARE MANUFACTURERS. WE ARE NOT PRIVY TO ALL THE INFORMATION PERTAINING TO THIS MATTER AND WE HAVE NO CONTROL OVER THE PROJECT INSTALLATION OF THE PRODUCT. THE DESIGN SUGGESTION IS PROVIDED WITHOUT OBLIGATION. DESIGN IS TO BE CONFIRMED AND APPROVED BY THE ARCHITECT, HYDRAULICS ENGINEER, OR PROJECT MANAGER. ACCURATE MEASUREMENTS SHOULD BE CONFIRMED BY THE PERSON APPROVING THE DESIGN. ALLPROOF ACCEPTS NO LIABILITY FOR THE IMPROPER USE OF THE DESIGN SUGGESTION.

TOOL NUMBER	0.0
PART WEIGHT(GRAMS)	0.0
FILE	S/CAD FILES/2016/DIVERSE/ASSEM PC175

A3	SCALE (UOS) 1:5
----	-----------------