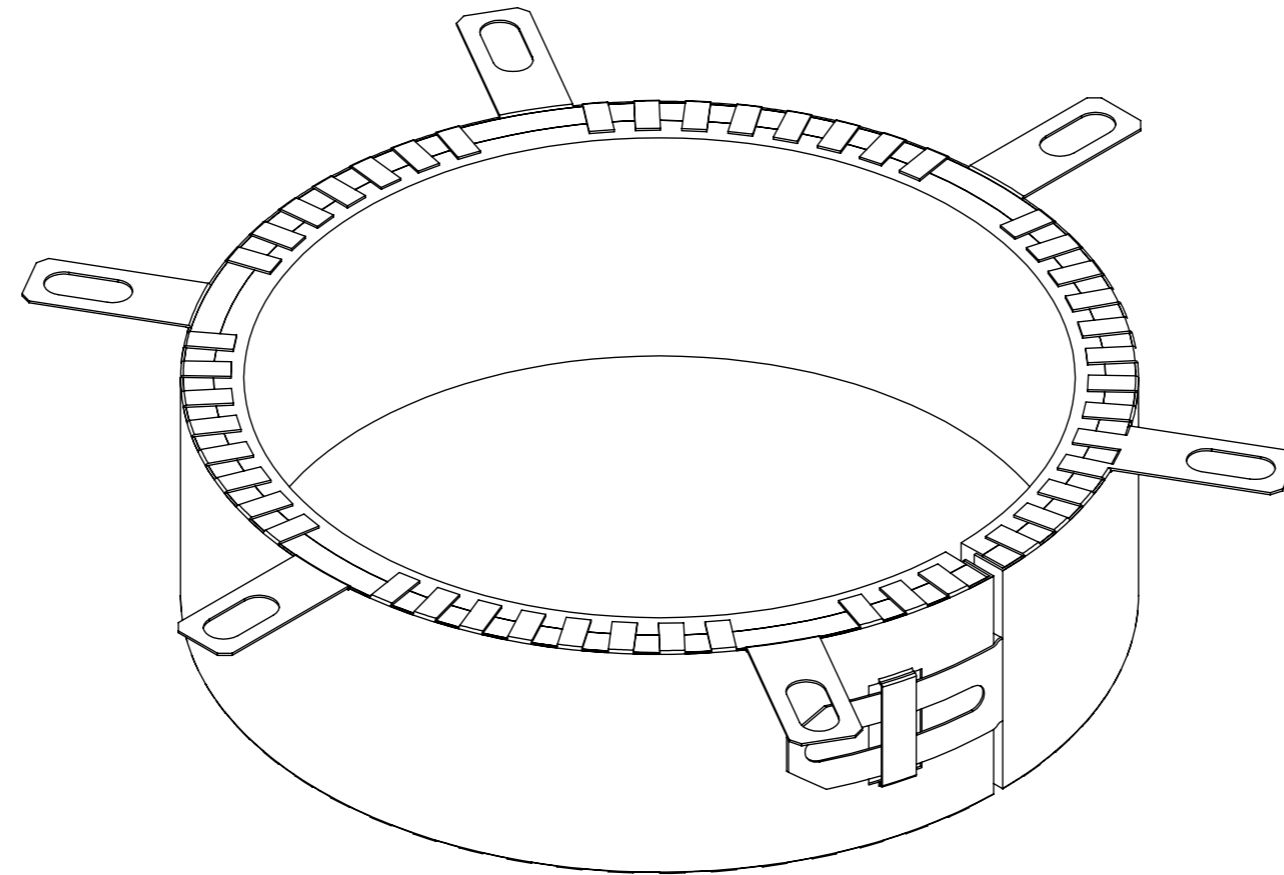
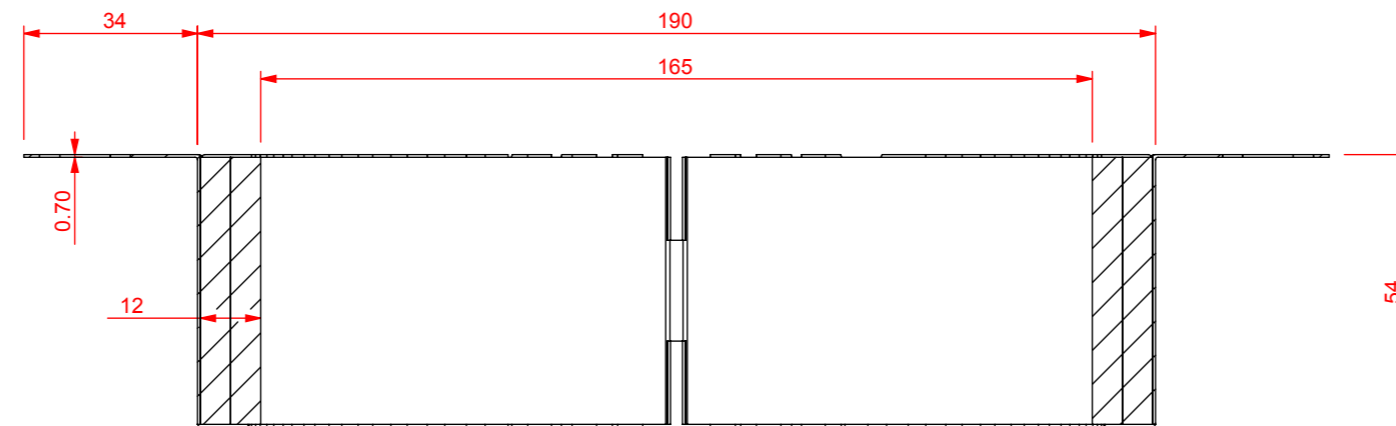


DESCRIPTION	
CODE	FINISH
ALLFC150SS	STAINLESS STEEL
ALLFC150GALV	GLAVNISED STEEL



ISOMETRIC VIEW



SECTION

REVISIONS	DRAWN	DATE	DO NOT SCALE DRAWING		ALLPROOF INDUSTRIES
			REQUESTED A.J	DATE 16.4.2013	
			DRAWN S.L.	DATE 16.4.2013	
			APPROVED	DATE	
XXX	XXX	XXX	MATERIAL		PART NUMBER ALLFC150
TOOL NUMBER		0.0	- 0.70 MM STEEL - 1/4 INCH INTUMESCENT (X2)		
PART WEIGHT(GRAMS)		0.0			SCALE : NTS (UOS)
FILE		A3	UNITS = MM		
					SHEET 4 OF 4

