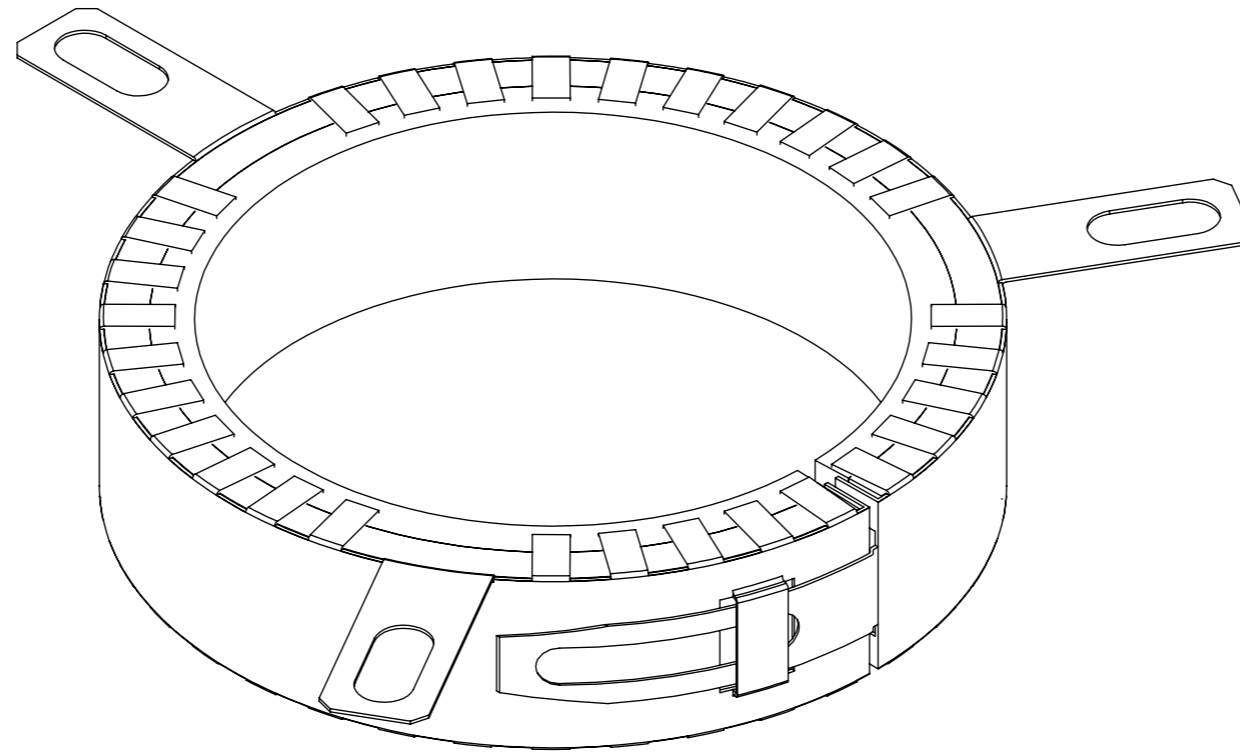
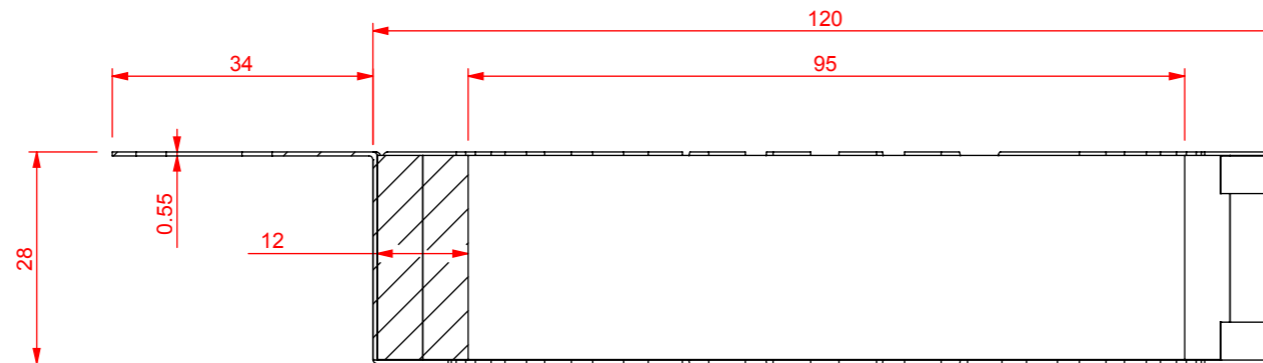


DESCRIPTION	
CODE	FINISH
ALLFC280SS	STAINLESS STEEL
ALLFC80GALV	GLAVNISED STEEL



ISOMETRIC VIEW



SECTION

REVISIONS	DRAWN	DATE	DO NOT SCALE DRAWING		
			REQUESTED A.J	DATE 16.4.2013	
			DRAWN S.L.	DATE 16.4.2013	
			APPROVED	DATE	
XXX	XXX	XXX	MATERIAL		PART NUMBER
TOOL NUMBER		0.0	- 0.55 MM STEEL - 1/4 INCH INTUMESCENT (X2)		ALLFC80
PART WEIGHT(GRAMS)		0.0			
FILE	A3	UNITS = MM	SCALE : NTS (UOS)	SHEET 3 OF 4	