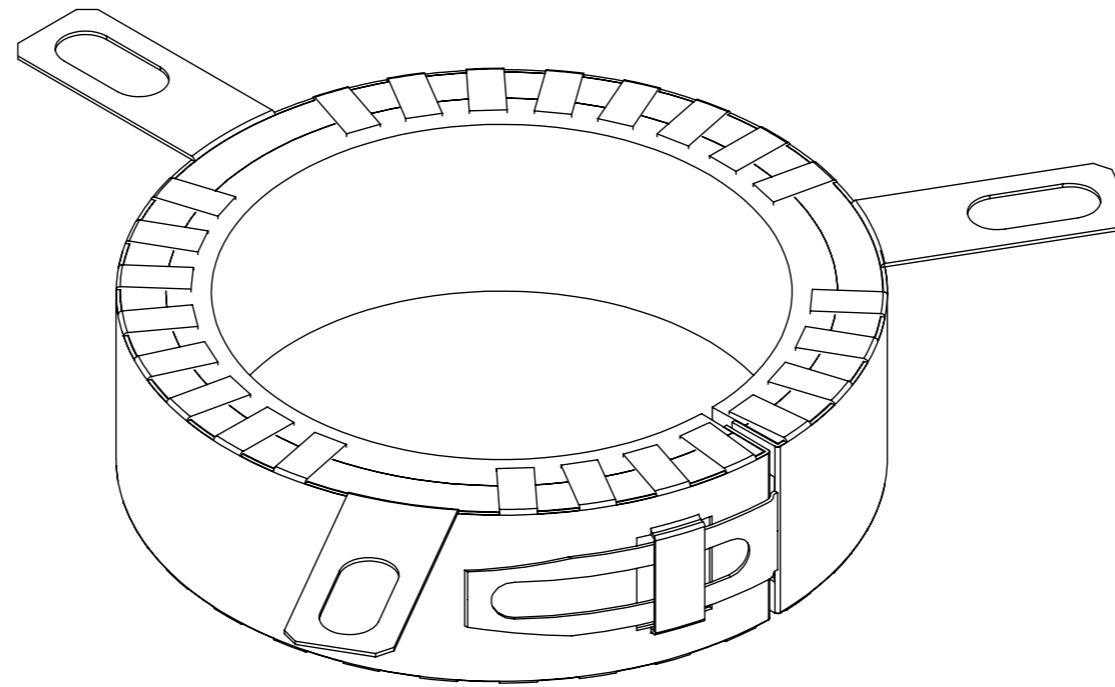
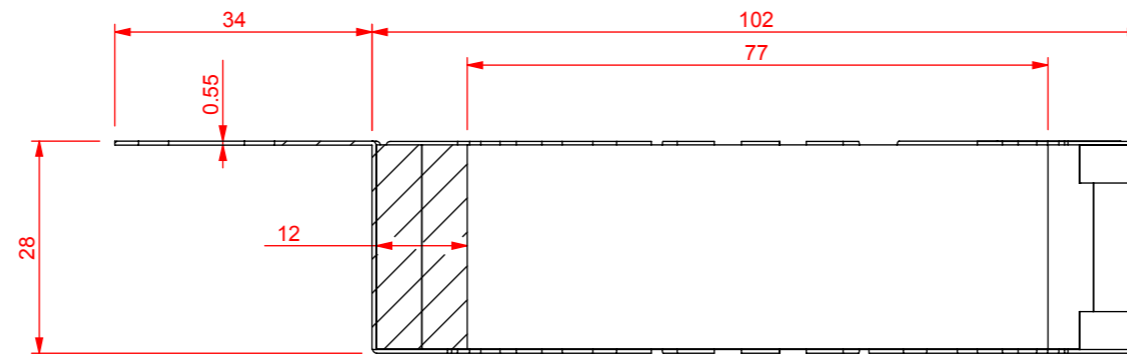


DESCRIPTION	
CODE	FINISH
ALLFC65SS	STAINLESS STEEL
ALLFC65GALV	GLAVNIISED STEEL



ISOMETRIC VIEW



SECTION

REVISIONS	DRAWN	DATE	DO NOT SCALE DRAWING		
			REQUESTED A.J	DATE 16.4.2013	
			DRAWN S.L.	DATE 16.4.2013	
			APPROVED	DATE	PART NUMBER ALLFC65
XXX	XXX	XXX	MATERIAL		
TOOL NUMBER		0.0	- 0.55 MM STEEL - 1/4 INCH INTUMESCENT (X2)		
PART WEIGHT(GRAMS)		0.0			
FILE		A3	UNITS = MM		SCALE : NTS (UOS)
					SHEET 2 OF 4