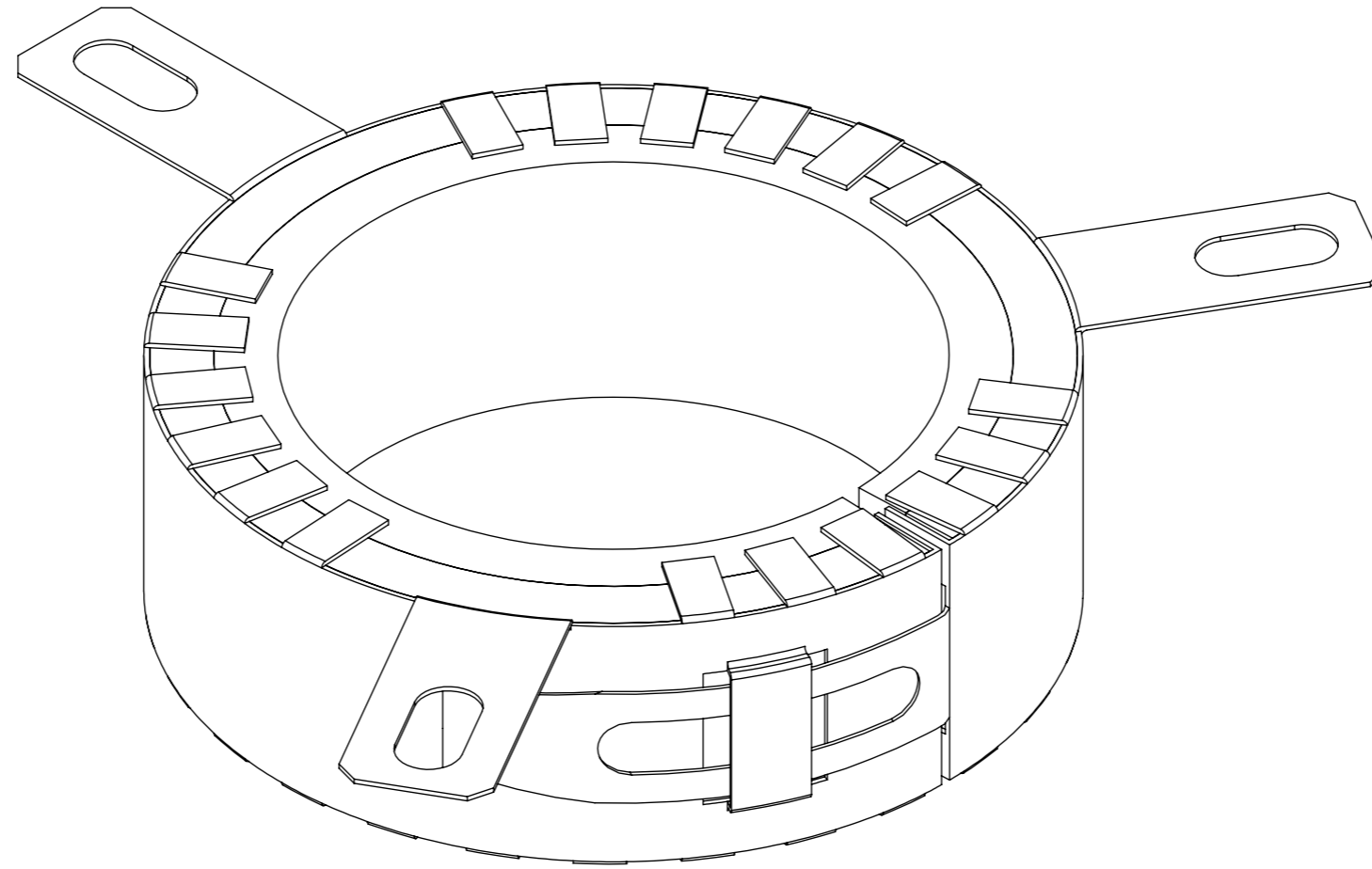
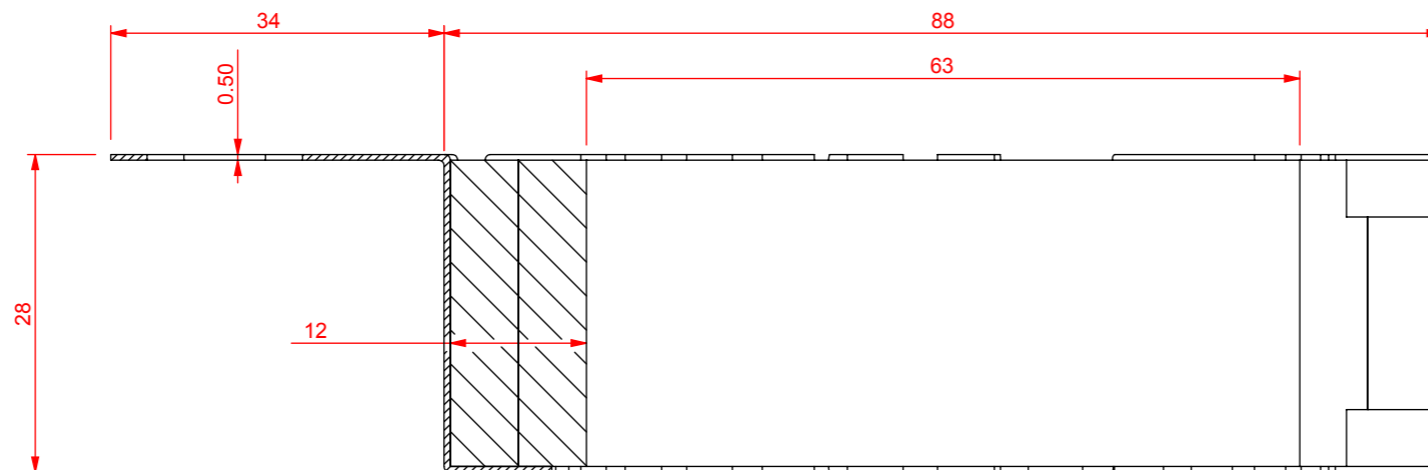


DESCRIPTION	
CODE	FINISH
ALLFC50SS	STAINLESS STEEL
ALLFC50GALV	GLAVNISED STEEL



ISOMETRIC VIEW



SECTION

REVISIONS	DRAWN	DATE	DO NOT SCALE DRAWING		ALLPROOF INDUSTRIES
			REQUESTED A.J	DATE 16.4.2013	
			DRAWN S.L.	DATE 16.4.2013	50 MM FIRE COLLAR
			APPROVED	DATE	PART NUMBER
XXX	XXX	XXX	MATERIAL		ALLFC50
TOOL NUMBER 0.0			- 0.55 MM STEEL - 1/4 INCH INTUMESCENT (X2)		
PART WEIGHT(GRAMS) 0.0					
FILE			A3	UNITS = MM	SCALE : NTS (UOS)
					SHEET 2 OF 3