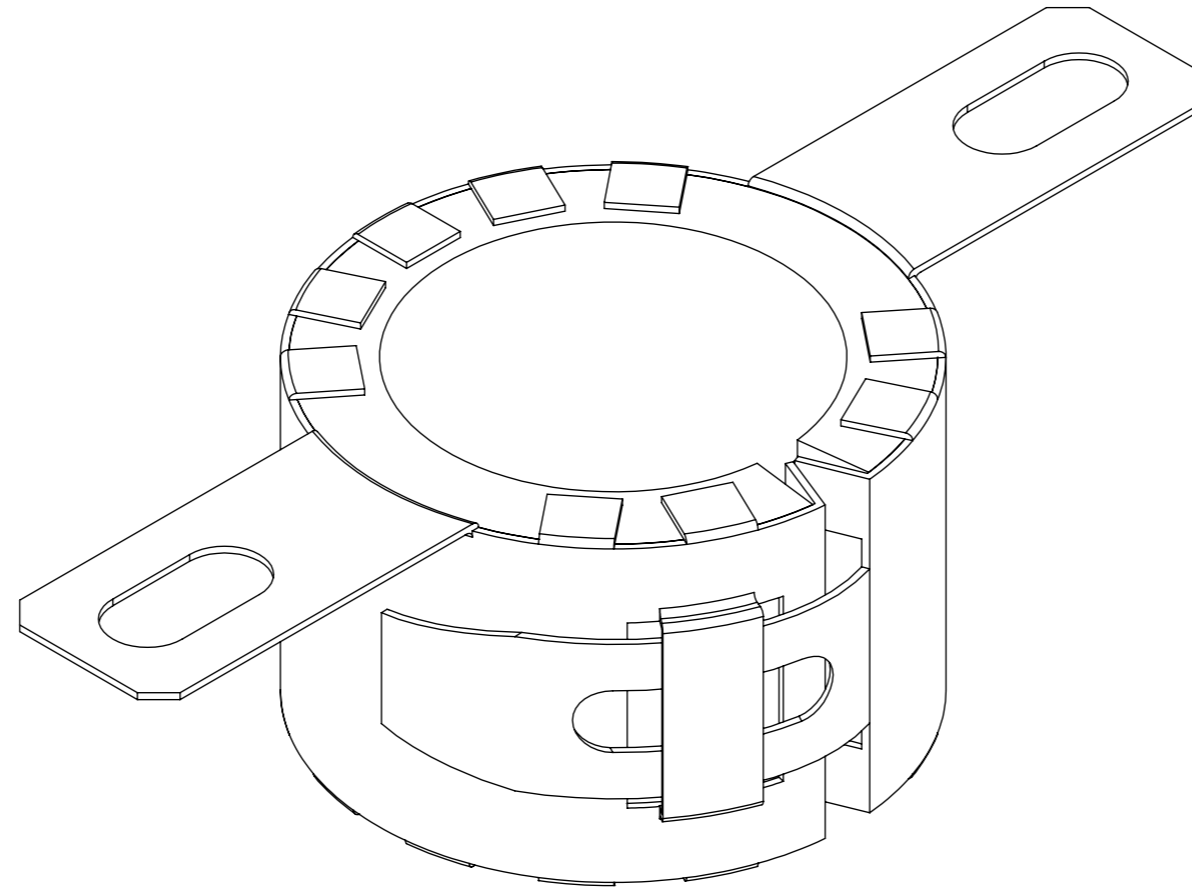
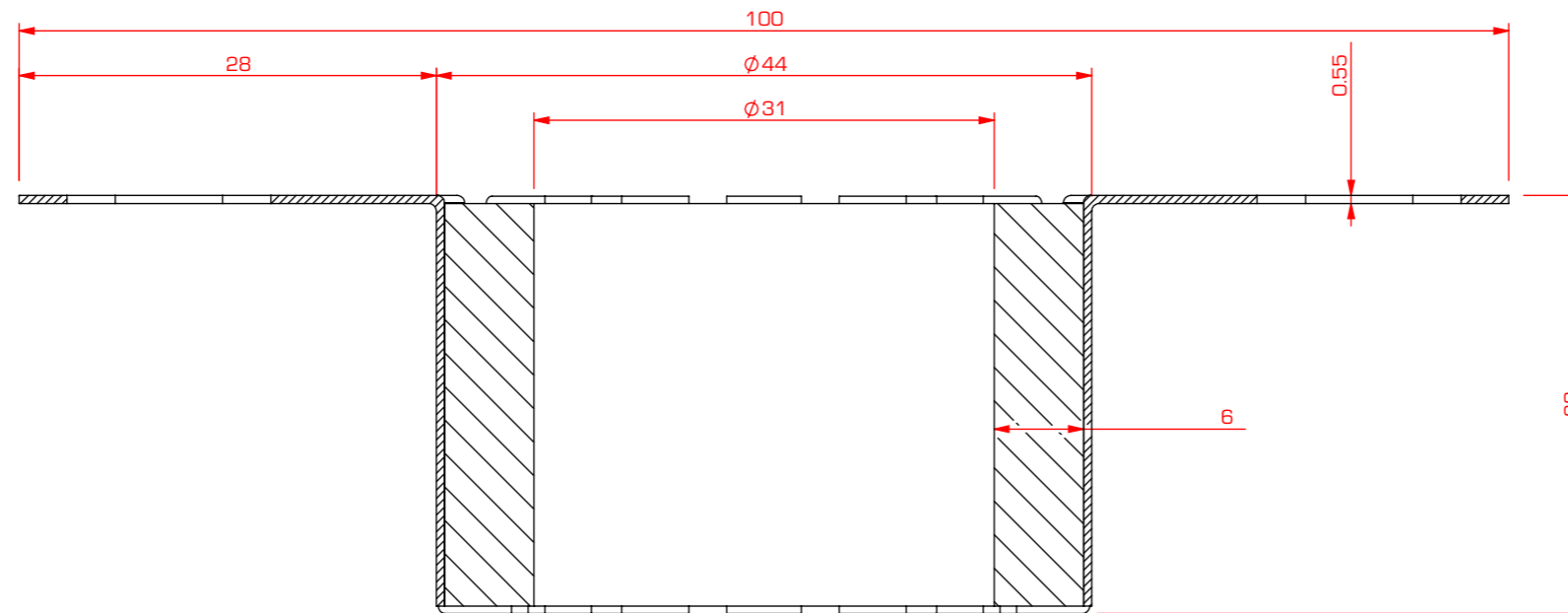


DESCRIPTION

CODE	FINISH
ALLFC25GALV	GLAVNISED STEEL



ISOMETRIC VIEW



SECTION

REVISIONS	DRAWN	DATE	DO NOT SCALE DRAWING		
			REQUESTED	DATE	
			AJ	16.4.2013	
			DRAWN	DATE	
			SL	16.4.2013	PART NUMBER ALLFC25
			APPROVED	DATE	
			XXX	XXX	MATERIAL - 0.55 MM STEEL - 1/4 INCH INTUMESCENT(X1)
			TOOL NUMBER	0.0	
			PART WEIGHT(GRAMS)	0.0	SCALE 2 : 1 (UOS)
			FILE	A3	
				UNITS = MM	