

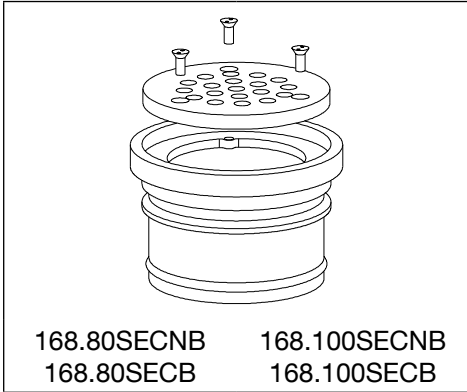
ALLPROOF

I N D U S T R I E S

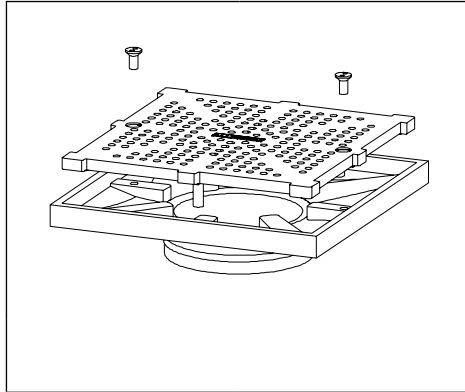
SECURITY DRAINS

Due to the specialised nature of these products they are designed specifically to your project requirements.
Please contact us for more information.

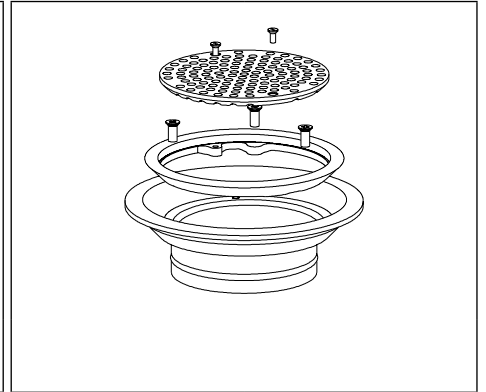
ROUND SECURITY DRAINS



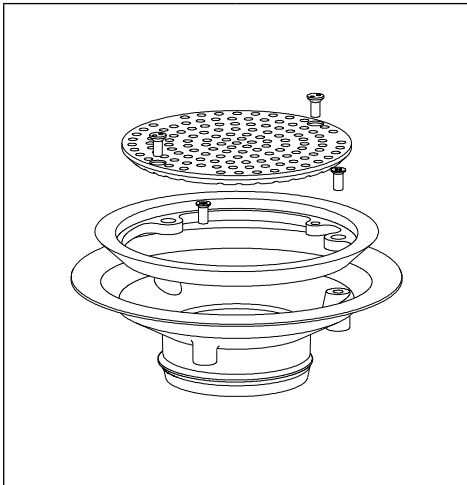
SQUARE SECURITY DRAINS



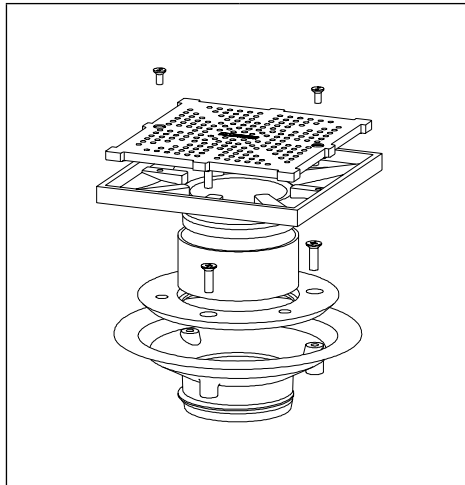
VINYL BRONZE BASE SECURITY DRAINS



VINYL PLASTIC BASE SECURITY DRAINS



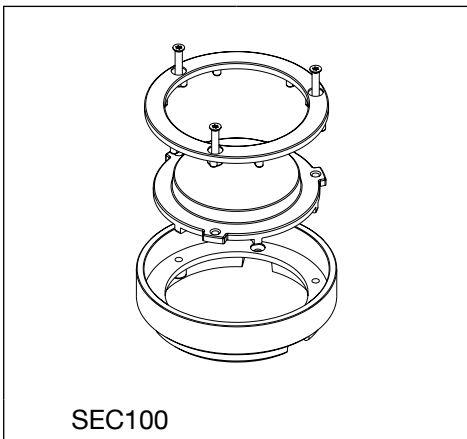
VINYL PODIUM SECURITY DRAINS



SECURITY DRAIN WITH 90° OUTLET



SS304 SECURITY DRAIN



CODES FOR GRATES: CP=CHROME NB=NICKEL BRONZE BR=BRONZE SS=STAINLESS WH=WHITE ABS

www.allproof.com