



Suitable for tiled, epoxy and concrete finish floors

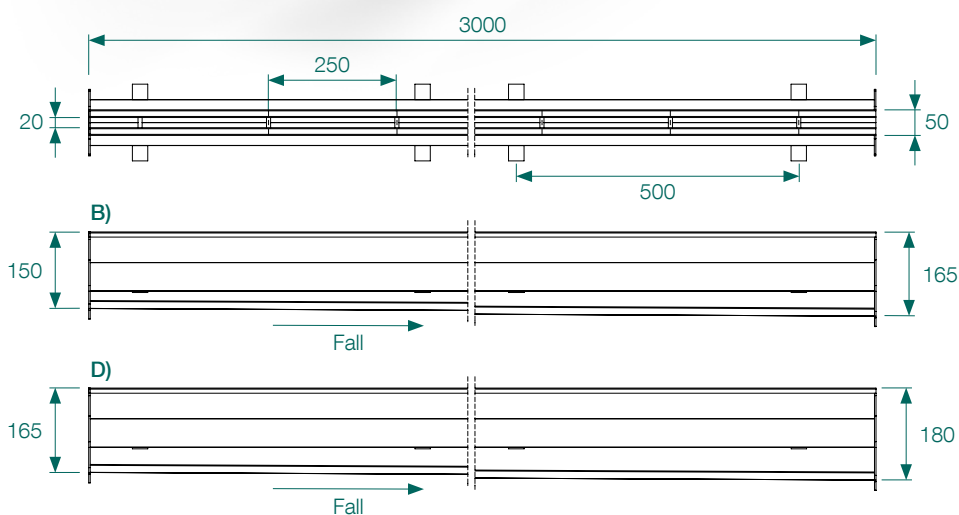
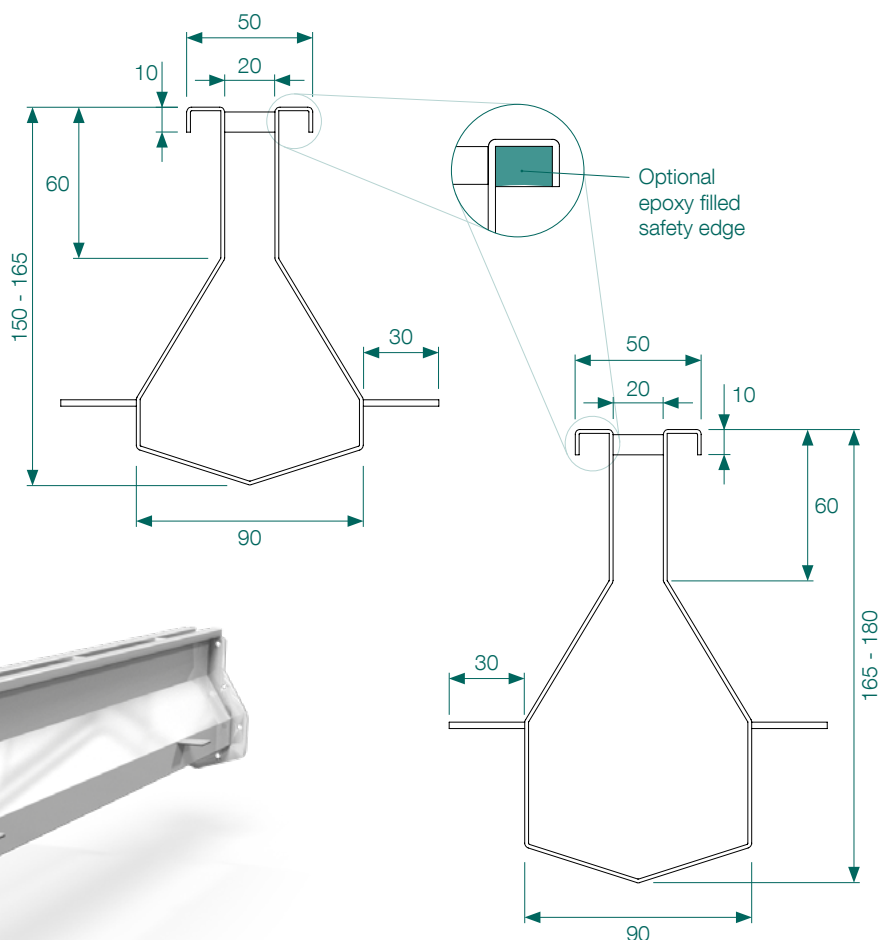
SL SERIES

Slot Channel Drain

Channels

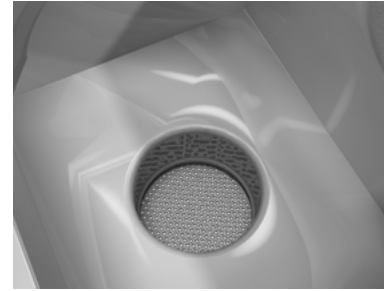
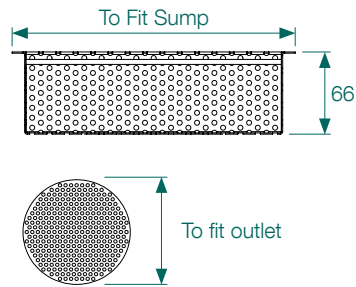
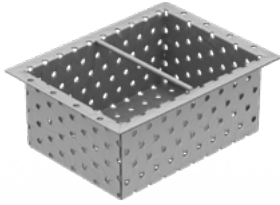
- > 304 & 316 grade SS
- > Standard Sizes of 3m lengths with 20mm slot in the below depths:
 - A) 150mm - 165mm (5mm/m fall)
 - B) 165mm - 180mm (5mm/m fall)
- > Recommended run length of 12,430mm section including sump at centre, can be mirrored for infinite run lengths
- > Bolted union to connect to sump
- > Standard 15mm safety edge
- > Epoxy filled 15mm safety edge optional

Please visit our website for specification codes and drawings.



Strainers

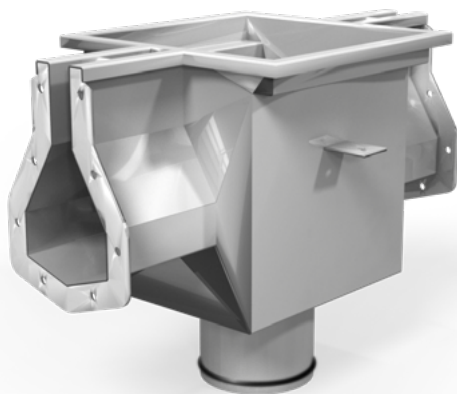
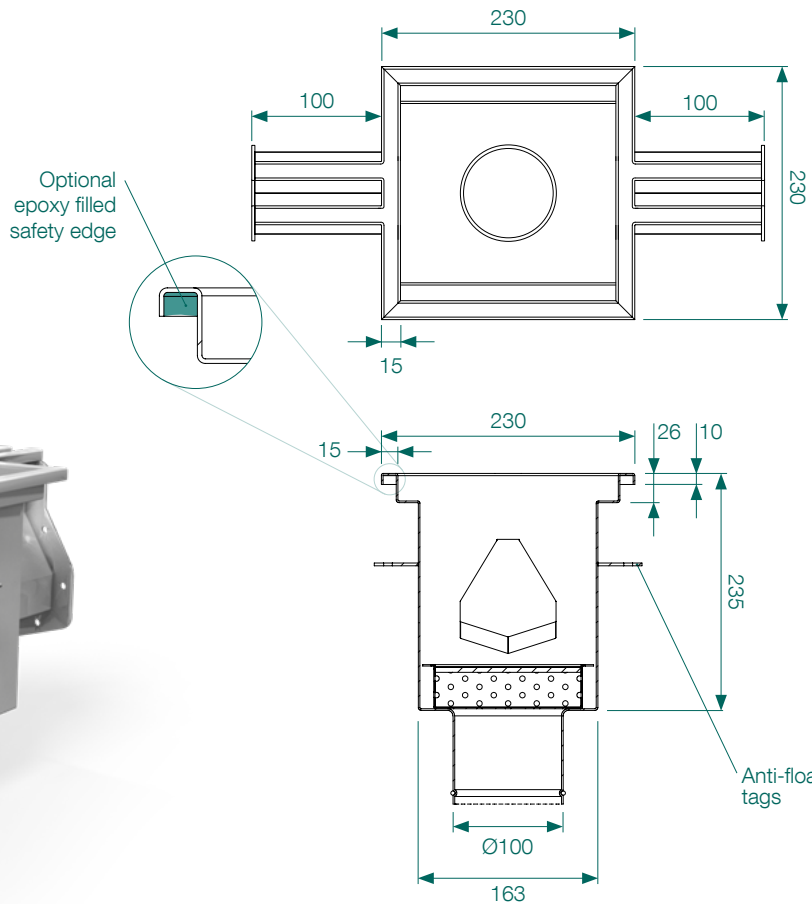
- > Includes primary removal strainer basket - connected by SS cable
- > Secondary fixed strainer optional



▲ Fixed strainer

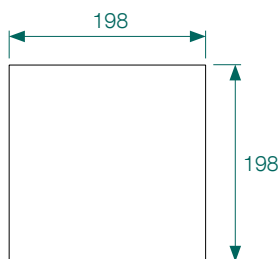
Sumps

- > 230mm x 230mm x 235mm
- > Standard 15mm safety edge
- > Epoxy filled 15mm safety edge optional
- > Includes 100mm O-ring outlet at end to suit i.d. PVC & HDPE



Grates

- > 316 grade SS
- > SS Wedge Wire grate
- > SS Ladder grate
- > SS Grid



SS Wedge Wire (WW)



SS Ladder (LAD)



SS Grid (GRID)