

Perimeter Drain



The Allproof Industries Perimeter Drain is an 'off the shelf' level threshold product that removes the process of boxing out and measuring. By simply butting the L shaped channel up against the exterior footing of the building it creates a surface to pour the concrete up against. The specially designed grate for this system is made from Glass Filled Nylon (GFN) and created in a way that it can be trimmed down on site to fit varying widths around the exterior of the building. Other grate options can be made available with custom manufacturing.

Channels come in a standard length of one metre. The standard GFN or HCI grate that comes with this system is supplied in 500mm lengths with stainless steel custom grate options available.

This system has been designed to be fast, efficient and cost effective due to reducing the need for custom manufacturing and providing a faster install process. This trouble free and easy to install product is the future of threshold drainage.

This system has been designed for pedestrian foot traffic with a load class rating of A.



Grate Options



Custom Made Wedge Wire (WW)**



Open Area: 47%
Standard Lengths: Custom
316 Stainless Steel



Custom Made Laser Cut Steel (LAS)**



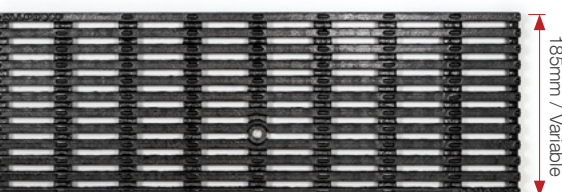
Open Area: 33%
Standard Lengths: Custom
316 / 304 Stainless Steel Option



Glass Filled Nylon (185GFN)*



Open Area: 29%
Standard Lengths: 500mm
Max Width: 185mm



Heelproof Cast Iron (185HCI)*



Open Area: 29%
Standard Lengths: 500mm
Max Width: 185mm

* Comes in 500mm lengths, onsite adjustable width up to 185mm and length.

** Custom widths and lengths available.

AS4586 Slip Resistance Classification:  R?

Price Guide: 

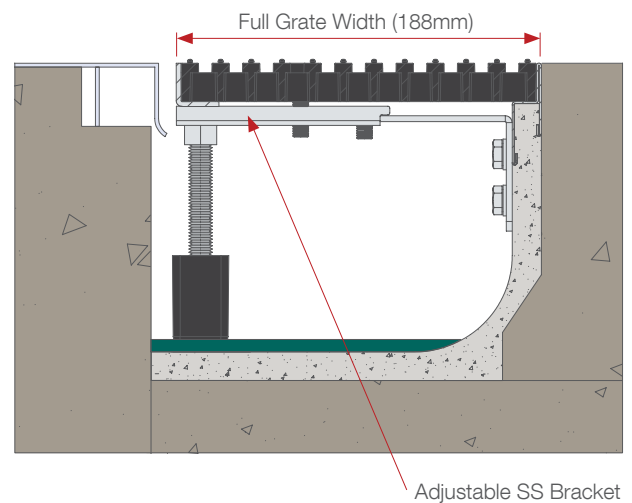
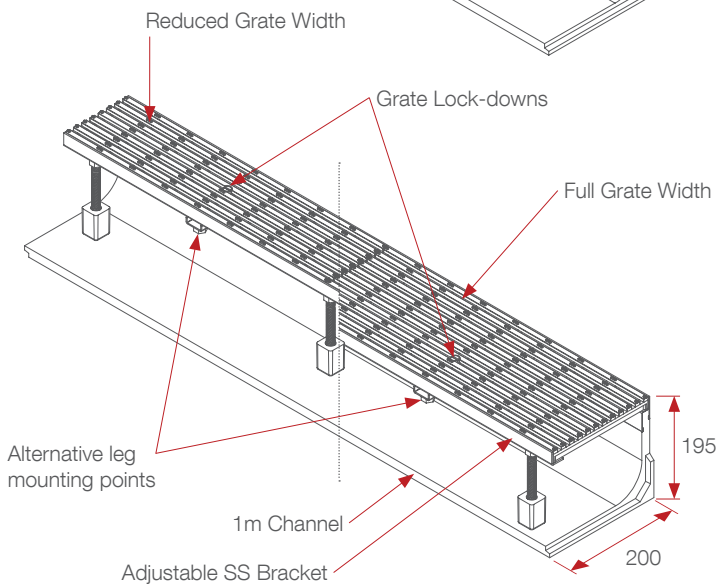
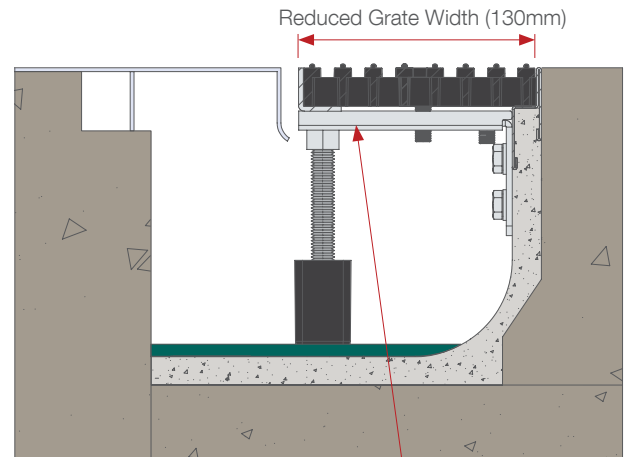
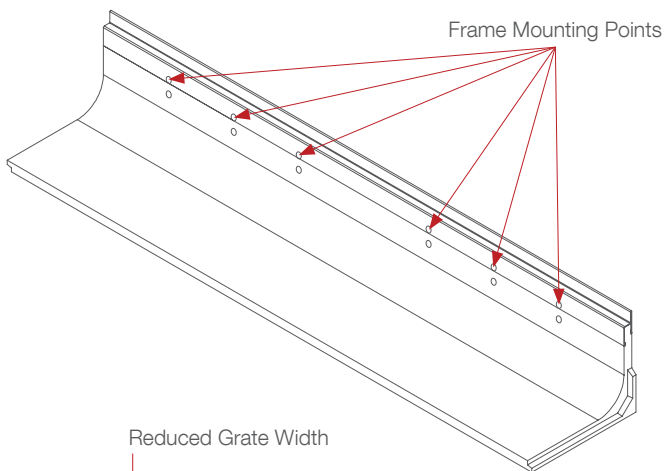
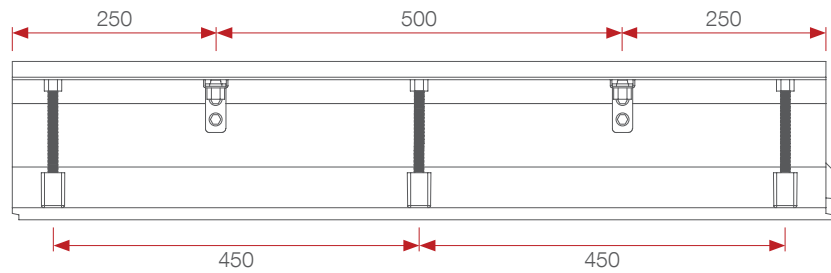
Heelproof: 

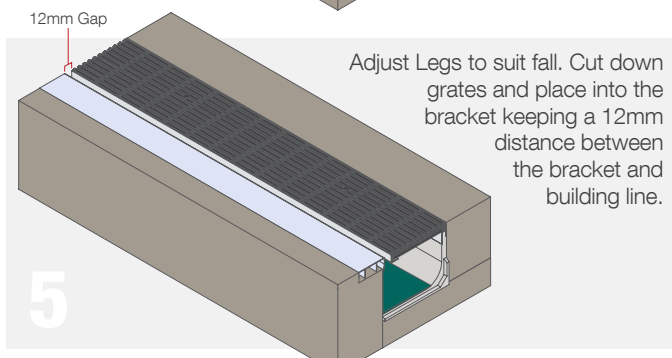
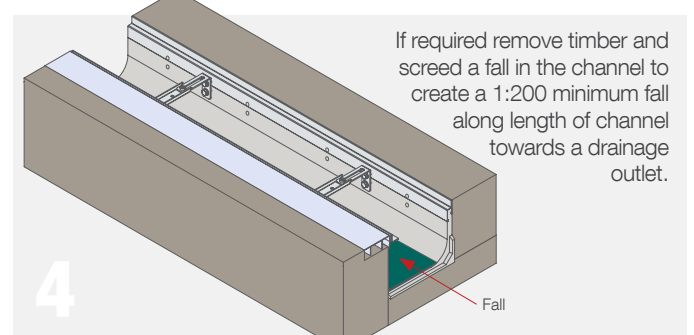
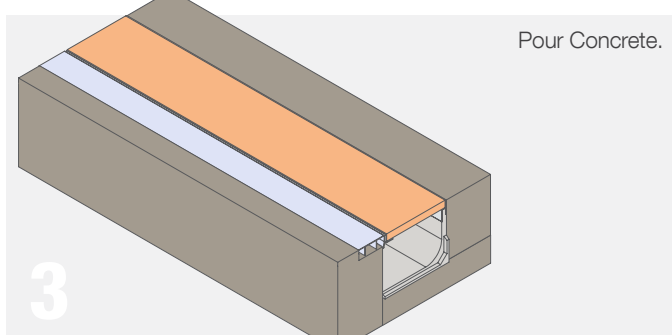
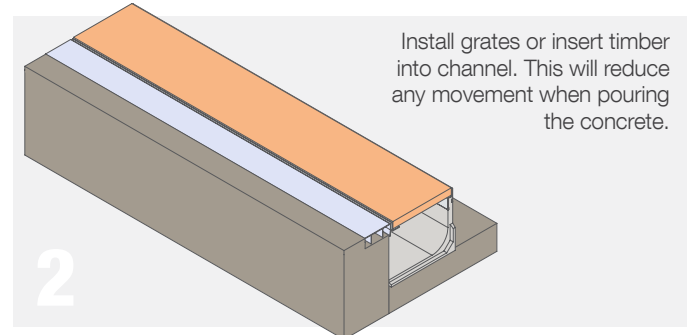
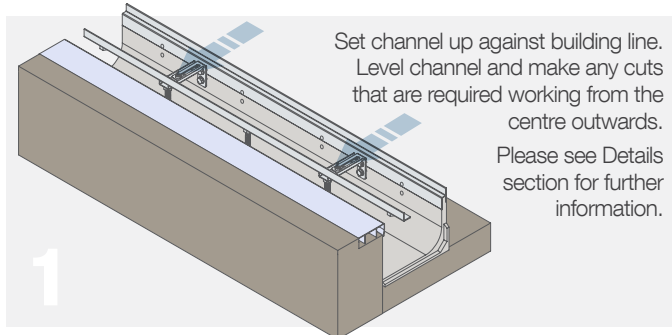
Customisable Width & Length: 



Product Order Codes:

Code	Description
Standard Off The Shelf System and Grates	
PC180LGFN	1 metre length of Perimeter Drain with Glass Filled Nylon Grate
PC180LHCI	1 metre length of Perimeter Drain with Heelproof Cast Iron Grate
PC180LEC SS	Stainless Steel Perimeter Drain End Cap
System With Custom Grates (for specification purposes)	
PC180LWW CUS	1 metre length of Perimeter Drain with Wedge Wire Grate
PC180LLAS CUS	1 metre length of Perimeter Drain with Laser Cut Steel Grate





Visit allproof.com to download install guide.

