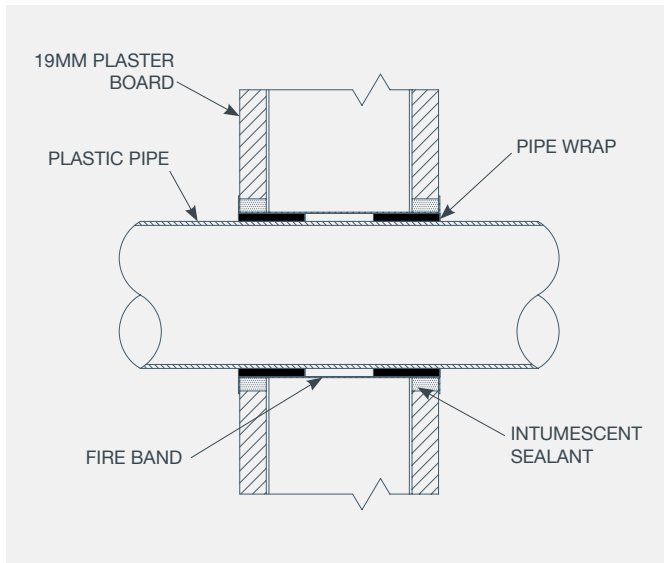


# FIRE BANDS

Designed for the fire protection of plasterboard walls penetrated by plastic pipes, Fire Bands are rolled galvanized steel sleeves with two slide tabs fixed through a corresponding slot and fold back tabs for fixing to the plasterboard. An Allproof pipe wrap is installed on each face of the plasterboard within the Fire Band. When a fire occurs the intumescent pipe wraps contained within the steel Fire Band activate, filling the band with a fire resistant seal.



## INSTALLATION DETAILS:



### SUITABLE FOR:

- Plasterboard wall penetrations

### FEATURES:

- Easy to use and install

## INSTALLATION INSTRUCTIONS:

1. Open fire band around pipe, slide tabs through slot and fold back 180° to secure. Slide into plasterboard wall penetration.
2. Install an Allproof pipe wrap on each face of the plasterboard wall (two per fire band).
3. Seal gap between the Fire Band and the plasterboard of both wall faces with intumescent sealant.

## PLASTERBOARD WALL TEST RESULTS:

NOMINAL PIPE SIZE (MM)	NOMINAL PIPE WALL THICKNESS (MM)	PRODUCT CODE	PENETRATION HOLE SIZE (MM)	PLASTERBOARD WALL FRL*	FTC#
<b>PVC PLASTIC PIPE</b>					
40	2.0	FB40+FW40	65	-/120/90	607
65	2.7	FB65+FW65	90	-/120/90	607
80	2.9	FB80+FW80	105	-/90/60	4289
100	3.2	FB100+FW100	130	-/90/90	4289
<b>HDPE PLASTIC PIPE</b>					
50	3.0	FB50+FW50	70	-/120/90	612
75	3.0	FB75+FW75	95	-/120/90	612
100	4.3	FB100+FW100	130	-/120/90	615
<b>PP-R (SDR 7.4)</b>					
40	5.5	FB40+FW40	60	-/120/120	613
63	8.6	FB65+FW65	83	-/120/90	613
110	15.1	FB100+FW100	130	-/120/90	613

\*Tested using a 92mm wide steel stud with a single layer of 19mm plasterboard on each side of the frame. A total wall thickness of 130mm. Intumescent sealant is applied in the space between the fire band and plasterboard on both the exposed and unexposed face.