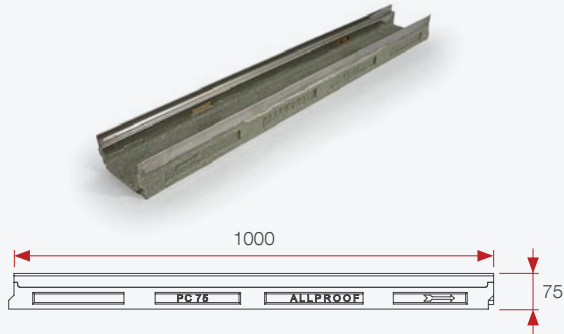


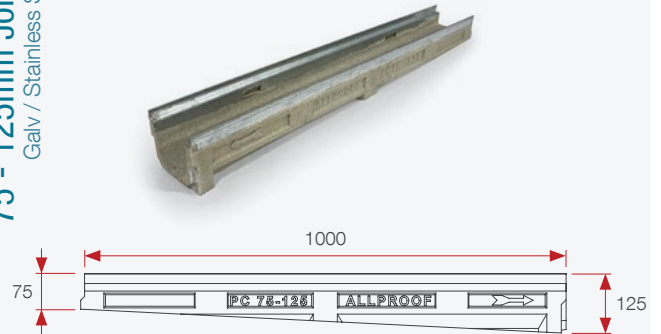
PC Channel Options (100mm Clear Opening)

Visit allproof.com for full spec sheets on all Channel Options

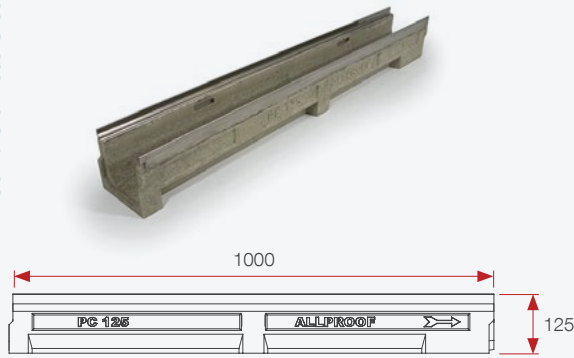
75mm Channel
Galv / Stainless Steel



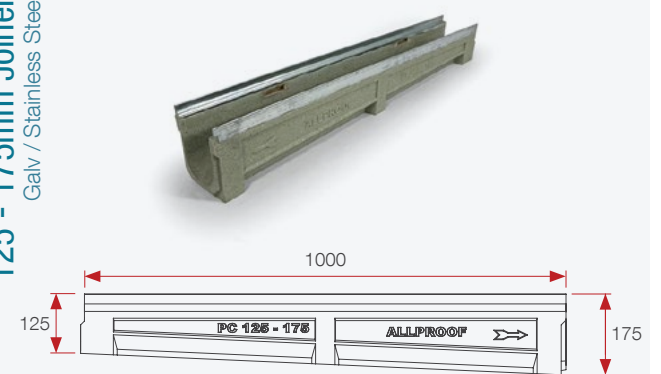
75 - 125mm Joiner
Galv / Stainless Steel



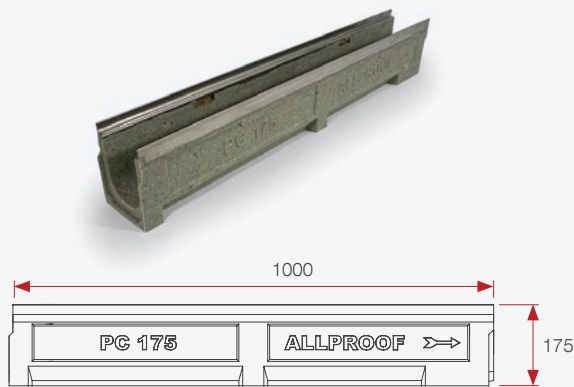
125mm Channel
Galv / Stainless Steel



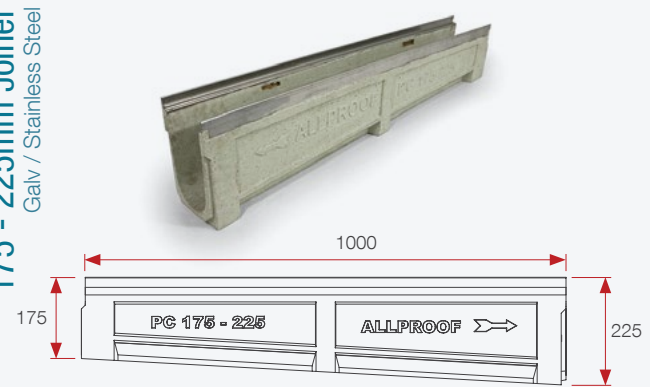
125 - 175mm Joiner
Galv / Stainless Steel



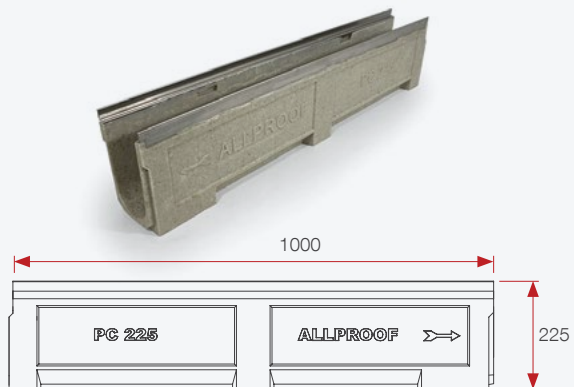
175mm Channel
Galv / Stainless Steel



175 - 225mm Joiner
Galv / Stainless Steel



225mm Channel
Galv / Stainless Steel



Inline Sump
Galv / Stainless Steel



*Note Galvanised steel channels should not be used in conjunction with asphalt, bitumen or acid washed surfaces as chemical reactions resulting in premature rust corrosion may occur.

Grates and System Codes

Wedge Wire (WW)



Open Area: 47%
Standard Lengths: 1000mm
316 Stainless Steel
*Load class A as standard, classes B - D available on request.

Code	Description
PC75SSWW	75mm PC SS Edge Wedgewire Grate
PC75-125SSWW	75-125mm SS Edge Joiner Wedgewire Grate
PC125SSWW	125mm PC SS Edge Wedgewire Grate
PC125-175SSWW	125-175mm SS Edge Joiner Wedgewire Grate
PC175SSWW	175mm PC SS Edge Wedgewire Grate
PC175-225SSWW	175-225mm SS Edge Joiner Wedgewire Grate
PC225SSWW	225mm PC SS Edge Wedgewire Grate
PCSUMPSSWW	600mm PC Sump SS Edge Wedgewire Grate

Laser (LAS)



Open Area: 33%
Standard Lengths: 1000mm
304 Stainless Steel
316 stainless steel available on request.

Code	Description
PC75SSLAS	75mm PC SS Edge LAS 304 SS Grate
PC75-125LAS	75-125mm SS Edge Joiner LAS 304 SS Grate
PC125SSLAS	125mm PC SS Edge LAS 304 SS Grate
PC125-175LAS	125-175mm SS Edge Joiner LAS 304 SS Grate
PC175SSLAS	175mm PC SS Edge LAS 304 SS Grate
PC175-225LAS	175-225mm SS Edge Joiner LAS 304 SS Grate
PC225SSLAS	225mm PC SS Edge LAS 304 SS Grate
PCSUMPLAS	600mm PC Sump SS Edge LAS 304 SS Grate

Ladder (LAD)



Open Area: 64%
Standard Lengths: 1000mm

Code	Description
PC75SSLAD	75mm PC SS Edge Ladder Grate
PC75-125SSLAD	75-125mm SS Edge Joiner Ladder Grate
PC125SSLAD	125mm PC SS Edge Ladder Grate
PC125-175SSLAD	125-175mm SS Edge Joiner Ladder Grate
PC175SSLAD	175mm PC SS Edge Ladder Grate
PC175-225SSLAD	175-225mm SS Edge Joiner Ladder Grate
PC225SSLAD	225mm PC SS Edge Ladder Grate
PCSUMPSSLAD	600mm PC Sump SS Edge Ladder Grate

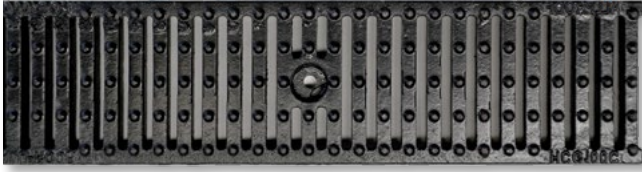
AS4586 Slip Resistance Classification:

Load Rating:

Price Guide:

Heelproof:

Heelproof Cast Iron (HCI)



Open Area: 31%

Standard Lengths: 500mm

*Note Cast Iron Grates supplied painted black. Oxidisation can occur naturally, is aesthetic, and will not impact on grate performance.

Stainless Steel Channel

Code	Description
PC75SSHCI	75mm PC SS Edge Heelproof CI Grate
PC75-125SSHCI	75-125mm SS Edge Joiner Heelproof CI Grate
PC125SSHCI	125mm PC SS Edge Heelproof CI Grate
PC125-175SSHCI	125-175mm SS Edge Joiner Heelproof CI Grate
PC175SSHCI	175mm PC SS Edge Heelproof CI Grate
PC175-225SSHCI	175-225mm SS Edge Joiner Heelproof CI Grate
PC225SSHCI	225mm PC SS Edge Heelproof CI Grate
PCSUMPSSHCI	600mm PC Sump SS Edge Heelproof CI Grate

Galv Channel

Code	Description
PC75HCI	75mm PC GS Edge Heelproof CI Grate
PC75-125HCI	75-125mm GS Edge Joiner Heelproof CI Grate
PC125HCI	125mm PC GS Edge Heelproof CI Grate
PC125-175HCI	125-175mm GS Edge Joiner Heelproof CI Grate
PC175HCI	175mm PC GS Edge Heelproof CI Grate
PC175-225HCI	175-225mm GS Edge Joiner Heelproof CI Grate
PC225HCI	225mm PC GS Edge Heelproof CI Grate
PCSUMPHCI	600mm PC Sump GS Edge Heelproof CI Grate

Cast Iron (CI)



Open Area: 32%

Standard Lengths: 500mm

*Note Cast Iron Grates supplied painted black. Oxidisation can occur naturally, is aesthetic, and will not impact on grate performance.

Stainless Steel Channel

Code	Description
PC75SSCI	75mm PC SS Edge CI Grate
PC75-125SSCI	75-125mm SS Edge Joiner CI Grate
PC125SSCI	125mm PC SS Edge CI Grate
PC125-175SSCI	125-175mm SS Edge Joiner CI Grate
PC175SSCI	175mm PC SS Edge CI Grate
PC175-225SSCI	175-225mm SS Edge Joiner CI Grate
PC225SSCI	225mm PC SS Edge CI Grate
PCSUMPSSCI	600mm PC Sump SS Edge CI Grate

Galv Channel

Code	Description
PC75CI	75mm PC GS Edge CI Grate
PC75-125CI	75-125mm GS Edge Joiner CI Grate
PC125CI	125mm PC GS Edge CI Grate
PC125-175CI	125-175mm GS Edge Joiner CI Grate
PC175CI	175mm PC GS Edge CI Grate
PC175-225CI	175-225mm GS Edge Joiner CI Grate
PC225CI	225mm PC GS Edge CI Grate
PCSUMPCI	600mm PC Sump GS Edge CI Grate

AS4586 Slip
Resistance Classification:



Load Rating:



Price Guide:



Heelproof:



Grates and System Codes

Pressed Stainless (SS)



Open Area: 30%
Standard Lengths: 1000mm
 304 Stainless Steel

Code	Description
PC75SS	75mm PC SS Edge SS Grate
PC75-125SS	75-125mm SS Edge Joiner SS Grate
PC125SS	125mm PC SS Edge SS Grate
PC125-175SS	125-175mm SS Edge Joiner SS Grate
PC175SS	175mm PC SS Edge SS Grate
PC175-225SS	175-225mm SS Edge Joiner SS Grate
PC225SS	225mm PC SS Edge SS Grate
PCSUMPSS	600mm PC Sump SS Edge SS Grate

Pressed Galv (GS)



Open Area: 30%
Standard Lengths: 1000mm

*Note Galvanised steel grates should not be used in conjunction with asphalt, bitumen or acid washed surfaces as chemical reactions resulting in premature rust corrosion may occur.

Code	Description
PC75GS	75mm PC GS Edge GS Grate
PC75-125GS	75-125mm GS Edge Joiner GS Grate
PC125GS	125mm PC GS Edge GS Grate
PC125-175GS	125-175mm GS Edge Joiner GS Grate
PC175GS	175mm PC GS Edge GS Grate
PC175-225GS	175-225mm GS Edge Joiner GS Grate
PC225GS	225mm PC GS Edge GS Grate
PCSUMPGS	600mm PC Sump GS Edge GS Grate

Galv Offset Slot (GOSL)



Open Area: 14%
Standard Lengths: 1000mm

Stainless steel available on request.

*Note Galvanised steel grates should not be used in conjunction with asphalt, bitumen or acid washed surfaces as chemical reactions resulting in premature rust corrosion may occur.


Code	Description
PC75GOSL	75mm PC GS Offset Slot
PC75-125GOSL	75-125mm PC GS Joiner Offset Slot
PC125GOSL	125mm PC GS Offset Slot
PC125-175GOSL	125-175mm PC GS Joiner Offset Slot
PC175GOSL	175mm PC GS Offset Slot
PC175-225GOSL	175-225mm PC GS Joiner Offset Slot
PC225GOSL	225mm PC GS Offset Slot
PCSUMPGOSL	600mm PC Sump PC GS Offset Slot

Channel Clamp (PC CLAMP)




Note: Rebar supplied by others and not included as part of the PC CLAMP

Code	Description
PC CLAMP100	PC Clamp to Suit 100mm Clear Opening Channel

AS4586 Slip Resistance Classification: 

Load Rating: 

Price Guide: 

Heelproof: 

Galv Centre Slot (GCSL)



Open Area: 14%

Standard Lengths: 1000mm

Stainless steel available on request.

*Note Galvanised steel grates should not be used in conjunction with asphalt, bitumen or acid washed surfaces as chemical reactions resulting in premature rust corrosion may occur.

Code	Description
PC75GCSL	75mm PC GS Centre Slot
PC75-125GCSL	75-125mm PC GS Joiner Centre Slot
PC125GCSL	125mm PC GS Centre Slot
PC125-175GCSL	125-175mm PC GS Joiner Centre Slot
PC175GCSL	175mm PC GS Centre Slot
PC175-225GCSL	175-225mm PC GS Joiner Centre Slot
PC225GCSL	225mm PC GS Centre Slot
PCSUMPGCSL	600mm PC Sump PC GS Centre Slot

Glass Filled Nylon (GFN)



Open Area: 28%

Standard Lengths: 500mm

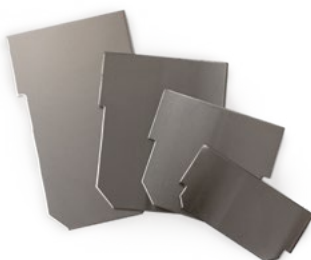
Stainless Steel Channel

Code	Description
PC75SSGFN	75mm PC SS Edge GFN Grate
PC75-125SSGFN	75-125mm PC SS Edge Joiner GFN Grate
PC125SSGFN	125mm PC SS Edge GFN Grate
PC125-175SSGFN	125-175mm PC SS Edge Joiner GFN Grate
PC175SSGFN	175mm PC SS Edge GFN Grate
PC175-225SSGFN	175-225mm PC SS Edge Joiner GFN Grate
PC225SSGFN	225mm PC SS Edge GFN Grate
CSUMPSSGFN	600mm PC Sump PC SS Edge GFN Grate

Galv Channel

Code	Description
PC75GFN	75mm PC Galv Edge GFN Grate
PC75-125GFN	75-125mm PC Galv Edge Joiner GFN Grate
PC125GFN	125mm PC Galv Edge GFN Grate
PC125-175GFN	125-175mm PC Galv Edge Joiner GFN Grate
PC175GFN	175mm PC Galv Edge GFN Grate
PC175-225GFN	175-225mm PC Galv Edge Joiner GFN Grate
PC225GFN	225mm PC Galv Edge GFN Grate
PCSUMPGFN	600mm PC Sump PC Galv Edge GFN Grate

End Caps (EC SS)



Code	Description
PC75EC SS	75mm PC End Cap
PC125EC SS	125mm PC End Cap
PC175EC SS	175mm PC End Cap
PC225EC SS	225mm PC End Cap

AS4586 Slip
Resistance Classification:



Load Rating:



Price Guide:



Heelproof:

