

ALLPROOF INDUSTRIES

Vinyl Clamp Ring Floor Waste System

Vinyl/membrane finish floor waste

Features

- Base flange fits inside 50mm, 80mm and 100mm pipe riser
- Flange options: PVC or Bronze
- Vinyl/waterproofing membrane clamped using 3x Stainless screws and clamp ring
- Cam-lock grate for easy waste access without disturbing vinyl/membrane
- Clamp Ring/grate feature flush finish with flooring
- Standard Finish Options: Chrome on brass, Polished Stainless Steel, Linished Nickel Bronze, White Plastic
- Security screw, hinged, domed and clean out options available
- Independent Flow Rate Tested by BRANZ



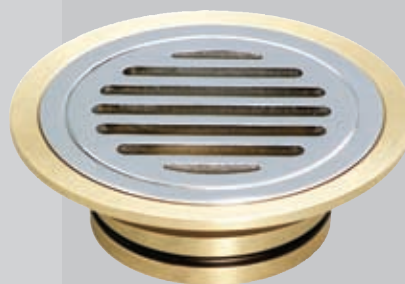
Product Code Guide

PVC BASE: VR PIPE SIZE CP = Chrome on Brass SS = Stainless Steel WH = Plastic

NB = Nickel Bronze Eg. VR100CP

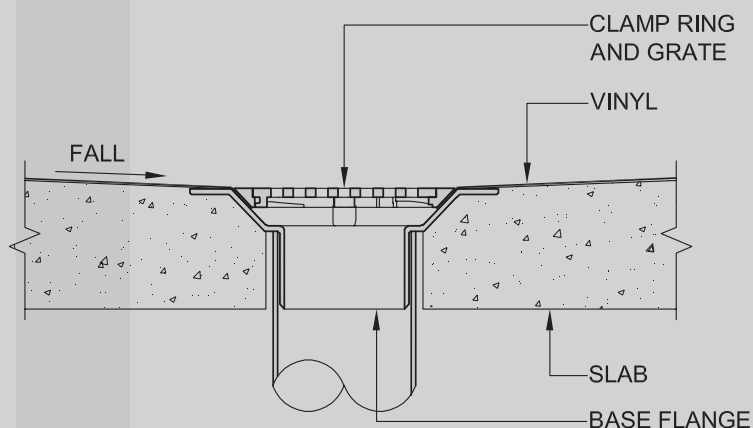
BRONZE BASE: 168.PIPE SIZE VCR CP = Chrome on Brass SS = Stainless Steel

NB = Nickel Bronze Eg. 168.100VCRSS

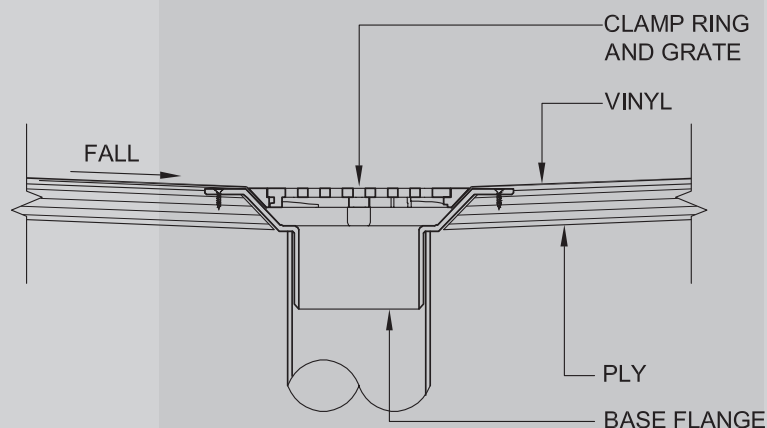


Typical Installation Details

01. Concrete Slab



02. Wooden Floor



ALLPROOF
INDUSTRIES