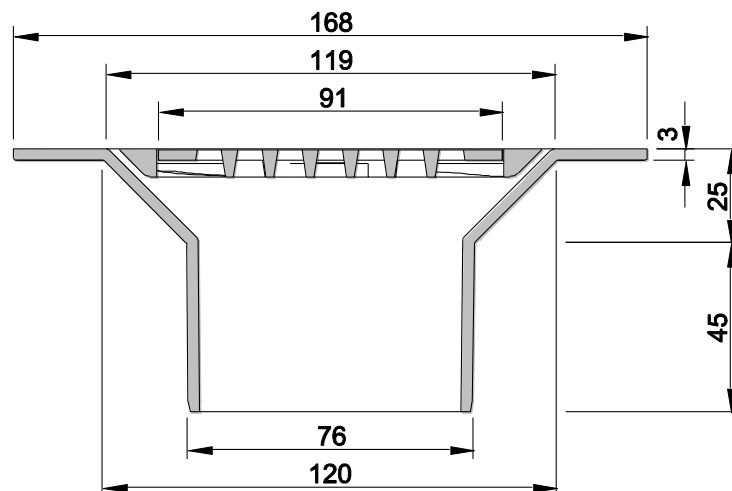
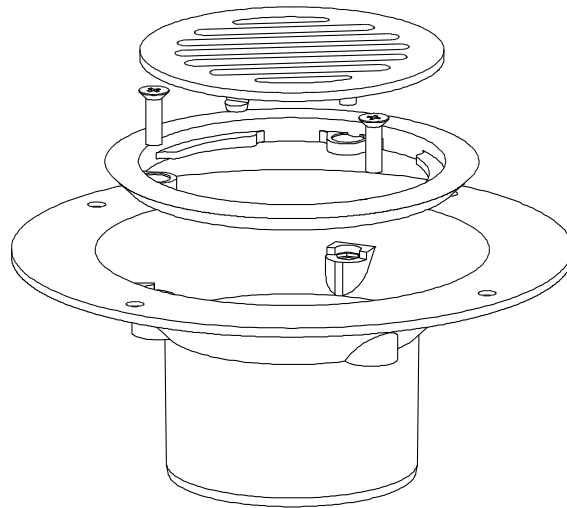


ALLPROOF INDUSTRIES VINYLRITE FLOOR WASTE SYSTEM 80MM VINYL/MEMBRANE FINISH CHROME FLOOR WASTE

Independent Flow Rate Test (Branz): 76 litres/minute under 25mm head of water

- Security Screw option available

Specification Code	Description	Standard Finish
VR80CP	80mm Vinyl Waste with PVC base flange, clamp ring and grate	Chrome on Brass clamp ring and grate
VR80NB	80mm Vinyl Waste with PVC base flange, nickel bronze clamp ring and grate	Linished Nickel bronze clamp ring and grate
VR80SS	80mm Vinyl Waste with PVC base flange, stainless clamp ring and grate	Polished 304 stainless steel clamp ring and grate
VR80BR	80mm Vinyl Waste with PVC base flange, brass clamp ring and grate	Polished Brass clamp ring and grate



Due to Allproof Industries ongoing product development program product designs may be changed without notice