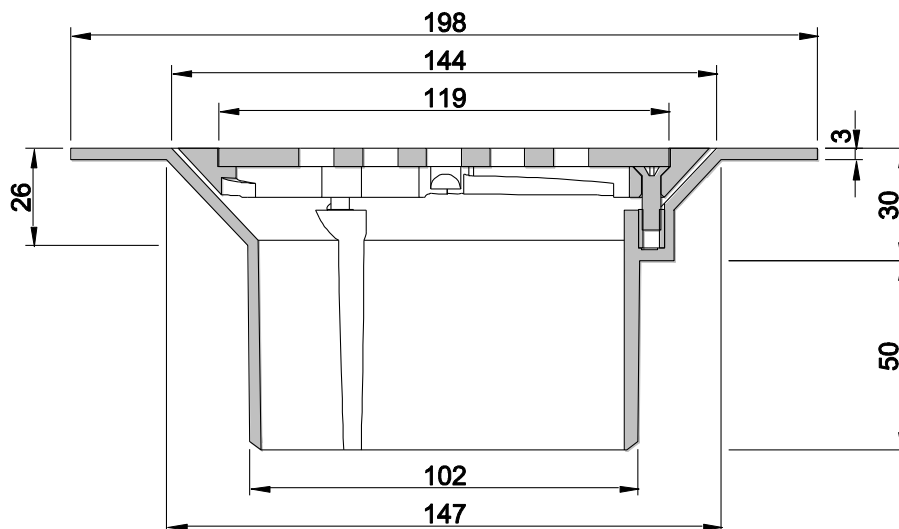
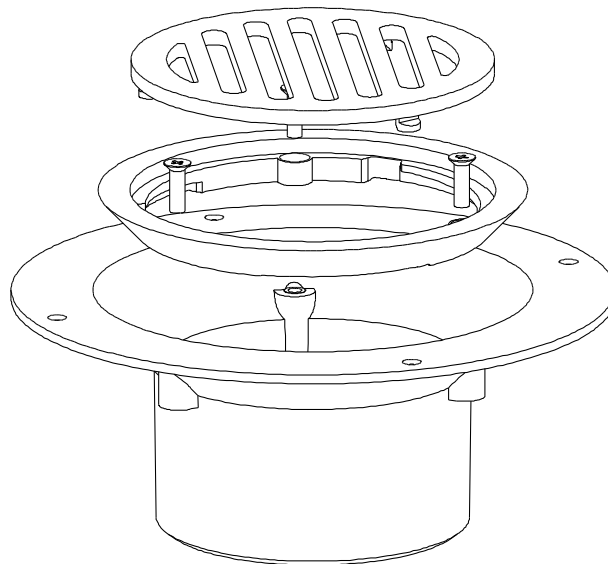


## ALLPROOF INDUSTRIES VINYL FLOOR WASTE SYSTEM 100MM VINYL/MEMBRANE FINISH CHROME FLOOR WASTE

Independent Flow Rate Test (Branz): 89 litres/minute under 25mm head of water

- Security Screw option available

Specification Code	Description	Standard Finish
VR100CP	100mm Vinyl Waste with PVC base flange, clamp ring and grate	Chrome on Brass clamp ring and grate
VR100NB	100mm Vinyl Waste with PVC base flange, nickel bronze clamp ring and grate	Linished Nickel Bronze clamp ring and grate
VR100SS	100mm Vinyl Waste with PVC base flange, stainless steel clamp ring and grate	Polished 304 Stainless Steel clamp ring and grate
VR100BR	100mm Vinyl Waste with PVC base flange, brass clamp ring and grate	Polished Brass clamp ring and grate



Due to Allproof Industries ongoing product development program product designs may be changed without notice