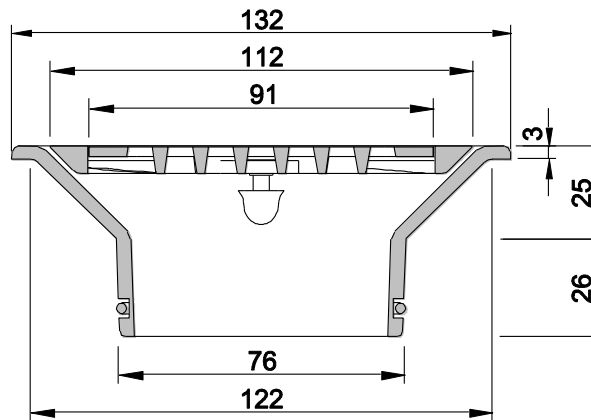
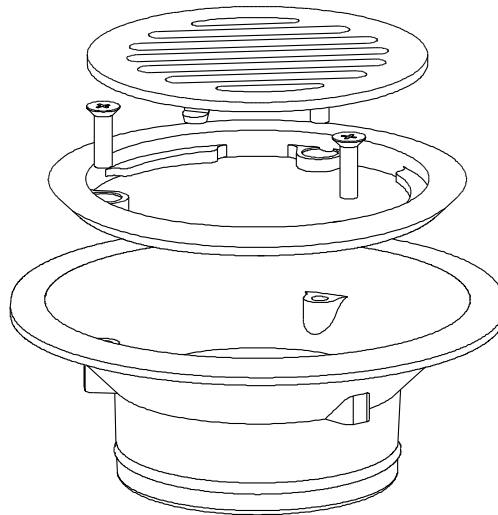


**ALLPROOF INDUSTRIES VINYLCLAMP RING FLOOR WASTE SYSTEM  
80MM VINYL/MEMBRANE FINISH FLOOR WASTE**

Independent Flow Rate Test (Branz): 76 litres/minute under 25mm head of water

- Security Screw option available

Specification Code	Description	Standard Finish
168.80VCR	80mm Vinyl Waste with bronze base flange, clamp ring and grate	Chrome on Brass clamp ring and grate
168.80VCR NB	80mm Vinyl Waste with bronze base flange, nickel bronze clamp ring and grate	Linished Nickel bronze clamp ring and grate
168.80VCR SS	80mm Vinyl Waste with bronze base flange, stainless clamp ring and grate	Polished 304 stainless steel clamp ring and grate
168.80VCR BR	80mm Vinyl Waste with bronze base flange, bronze clamp ring and grate	Linished bronze clamp ring and grate



Due to Allproof Industries ongoing product development program product designs may be changed without notice