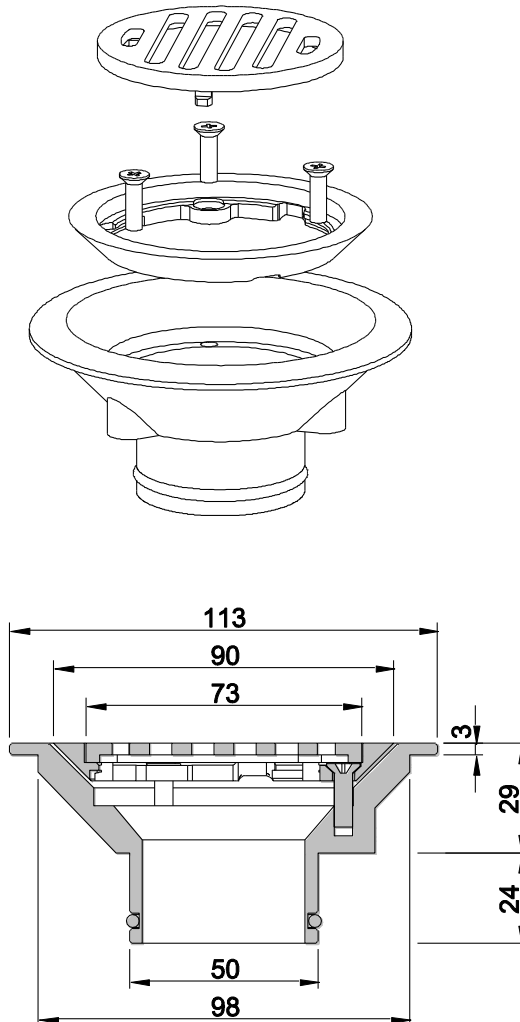


ALLPROOF INDUSTRIES VINYLCLAMP RING FLOOR WASTE SYSTEM 50MM VINYL/MEMBRANE FINISH FLOOR WASTE

Independent Flow Rate Test (Branz): 40 litres/minute under 25mm head of water

- Security Screw option available

Specification Code	Description	Standard Finish
168.50VCR	50mm Vinyl Waste including bronze base flange, clamp ring and grate	Chrome on Brass clamp ring and grate
168.50VCR NB	50mm Vinyl Waste with bronze base flange, nickel bronze clamp ring and grate	Linished Nickel bronze clamp ring and grate
168.50VCR BR	50mm Vinyl Waste with bronze base flange, linished bronze clamp ring and grate	Linished Bronze clamp ring and grate



Due to Allproof Industries ongoing product development program product designs may be changed without notice