

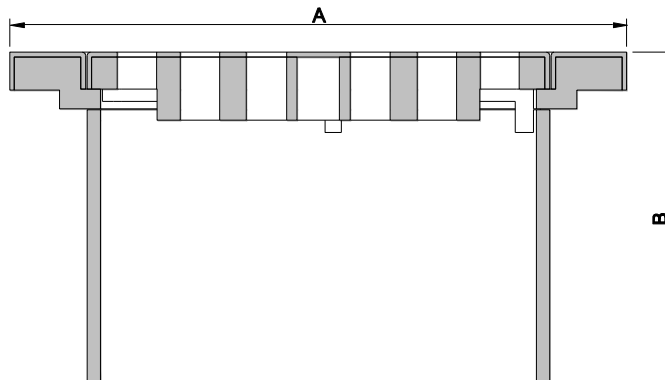
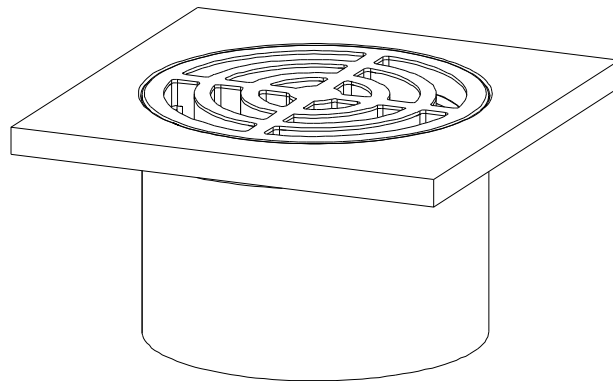
ALLPROOF INDUSTRIES TILE FLOOR WASTE GRATES
TILE FINISH FLOOR GRATES TO SUIT LEAK CONTROL FLANGES

To Suit LC-50, LC-65 and LC-80

| Product Code | Grate Type | Grate Size mm (a) | Grate Height mm (b) |
|--------------|------------------------|-------------------|---------------------|
| 168.80SCPT | Square Chrome on Brass | 83 | 37 |
| 168.80SQS | Square Stainless Steel | 100 | 54 |
| 168.80SQW | Square Plastic | 99 | 54 |
| 168.80RCPT | Round Chrome on Brass | 87 | 37 |
| 168.80RDS | Round Stainless Steel | 100 | 54 |
| 168.80RDW | Round Plastic | 99 | 54 |

To Suit LC-100

| Product Code | Grate Type | Grate Size mm (a) | Grate Height mm (b) |
|--------------|------------------------|-------------------|---------------------|
| 168.100SCPT | Square Chrome on Brass | 111 | 38 |
| 168.100SQS | Square Stainless Steel | 123 | 58 |
| 168.100SQW | Square Plastic | 122 | 58 |
| 168.100RCPT | Round Chrome on Brass | 111 | 38 |
| 168.100RDS | Round Stainless Steel | 123 | 58 |
| 168.100RDW | Round Plastic | 122 | 58 |



Due to Allproof Industries ongoing product development program product designs may be changed without notice