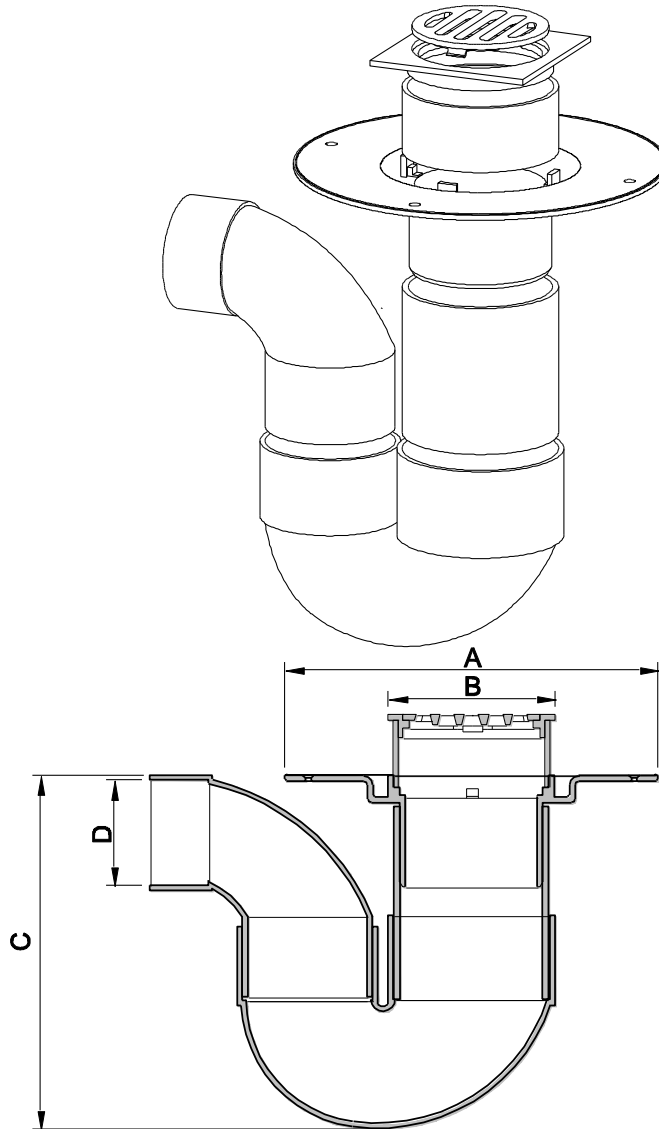


## ALLPROOF INDUSTRIES TILE KIT TILE FINISH LEAK CONTROL FLANGE, FLOOR GRATE AND FLOOR WASTE GULLY

KIT CODE	TK80SC	TK80SC.65	TK100SC	TK100SC.65
Flange Diameter mm (a)	198	198	219	219
Grate Diameter mm (b)	83	83	111	111
Minimum Height mm (c)	187	199	193	206
Nominal Outlet Size mm (d)	50	65	50	65



Due to Allproof Industries ongoing product development program product designs may be changed without notice