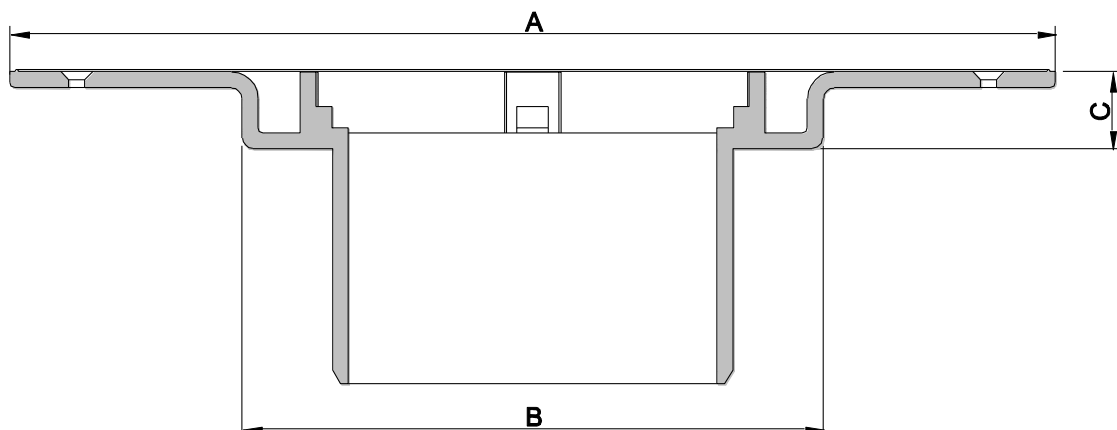
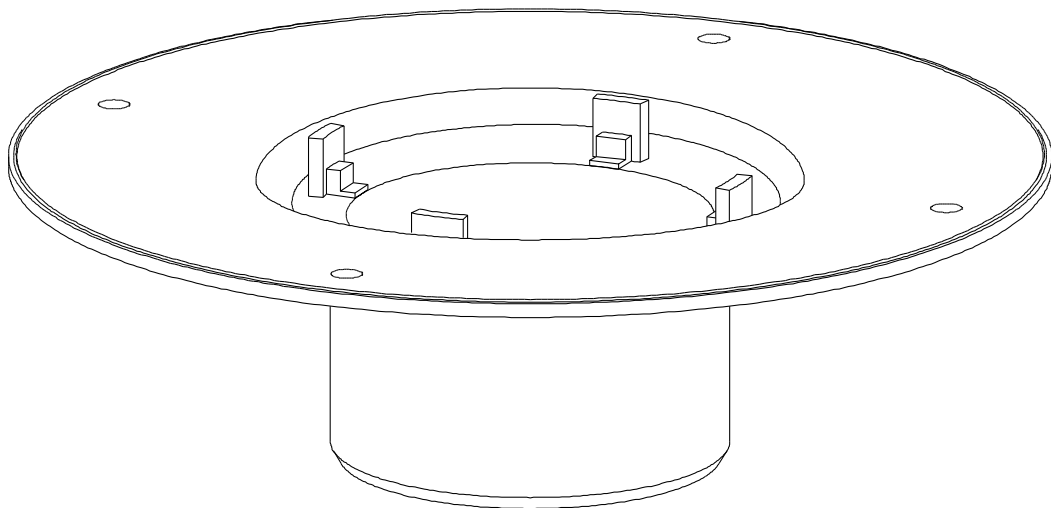


ALLPROOF INDUSTRIES TILE LEAK CONTROL FLANGES TILE FINISH PVC LEAK CONTROL FLANGE

Nominal Pipe Size	50mm	65mm	80mm	100mm
Product Code	LC-50	LC-65	LC-80	LC-100
Flange Diameter mm (a)	194	194	198	219
Step Down Diameter mm (b)	109	109	109	137
Step Down Depth mm (c)	14	16	16	17
Connection Type	Socket	Spigot	Spigot	Spigot



Due to Allproof Industries ongoing product development program product designs may be changed without notice