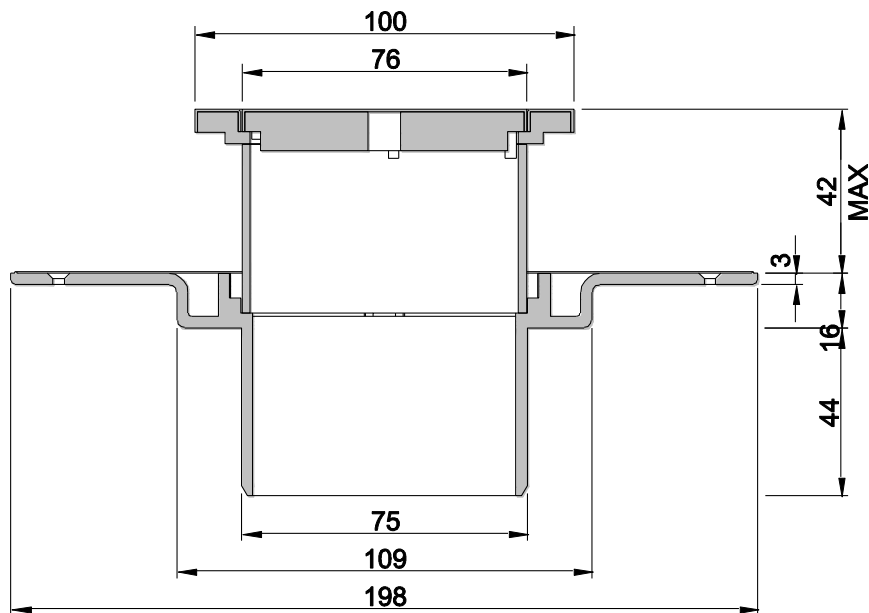
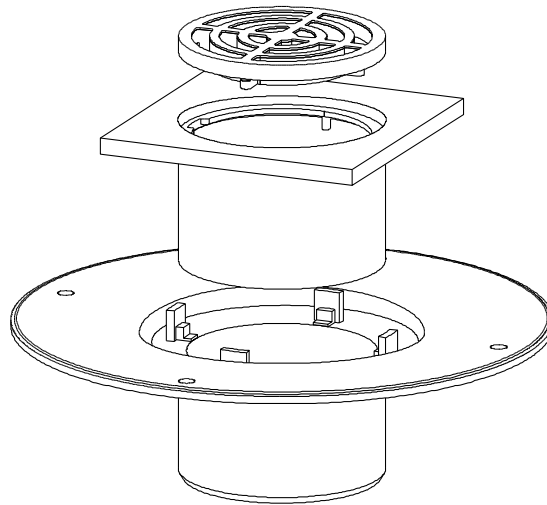


ALLPROOF INDUSTRIES TILE FLOOR WASTE SYSTEM 80MM TILE FINISH LEAK CONTROL FLANGE AND FLOOR GRATE

Specification Code	Description	Standard Finish
TFW80SS	80mm PVC leak control flange and square height adjustable floor grate	Square 304 Stainless Steel
TFW80RS	80mm PVC leak control flange and round height adjustable floor grate	Round 304 Stainless Steel



Due to Allproof Industries ongoing product development program product designs may be changed without notice