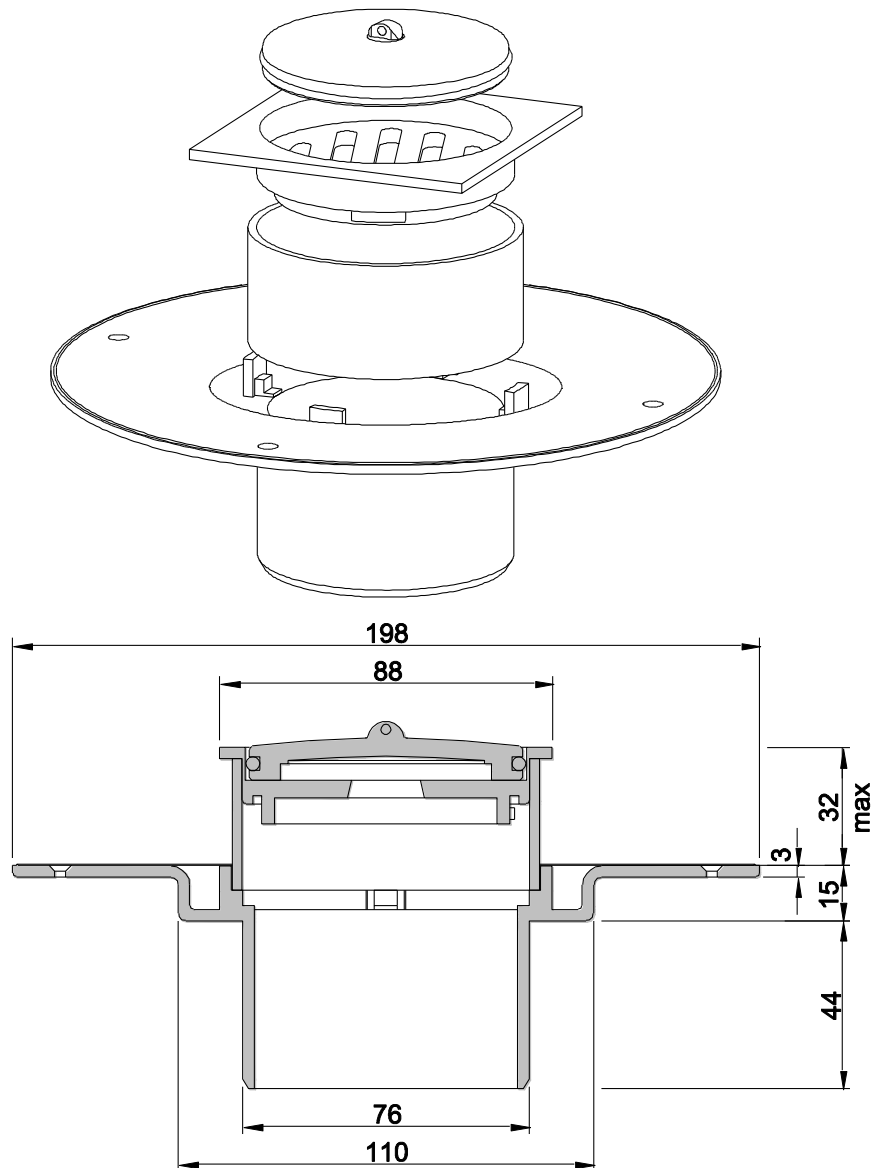


ALLPROOF INDUSTRIES TILE BATH WASTE SYSTEM 80MM TILE FINISH LEAK CONTROL FLANGE AND BATH PLUG

Specification Code	Description	Standard Finish
TFW80PLUGS	80mm PVC leak control flange and square height adjustable tile bath plug	Square Chrome on Brass
TFW80PLUGR	80mm PVC leak control flange and round height adjustable tile bath plug	Round Chrome on Brass
168.80PLUGS	Square Tile Bath Plug	Square Chrome on Brass
168.80PLUGR	Round Tile Bath Plug	Round Chrome on Brass



Due to Allproof Industries ongoing product development program product designs may be changed without notice