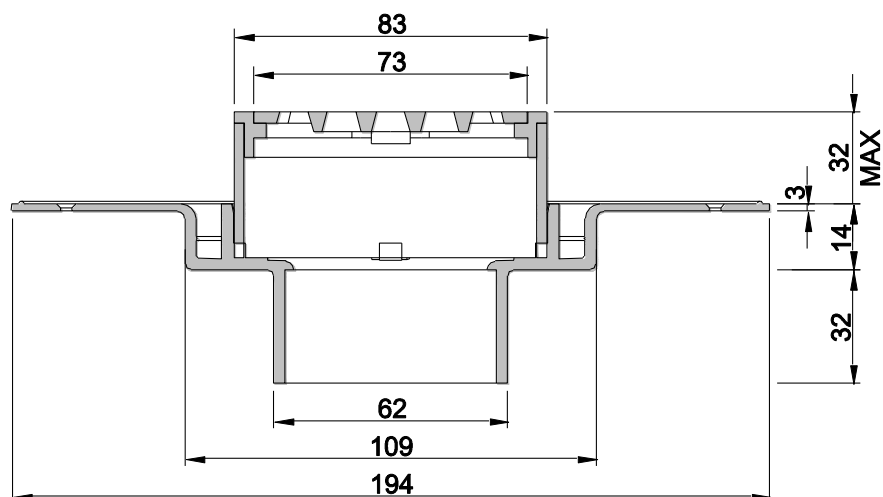
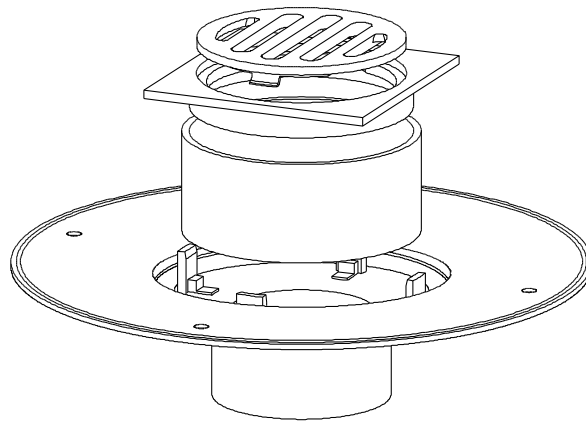


## ALLPROOF INDUSTRIES TILE FLOOR WASTE SYSTEM 50MM TILE FINISH LEAK CONTROL FLANGE AND FLOOR GRATE

Independent Flow Rate Test (Branz): 38 litres/minute under 25mm head of water

Specification Code	Description	Standard Finish
TFW50SC	50mm PVC leak control flange and square height adjustable floor grate	Square Chrome on Brass
TFW50RC	50mm PVC leak control flange and round height adjustable floor grate	Round Chrome on Brass
TFW50SCPB	50mm PVC leak control flange and square height adjustable floor grate	Square Polished Brass
TFW50RPB	50mm PVC leak control flange and round height adjustable floor grate	Round Polished Brass



Due to Allproof Industries ongoing product development program product designs may be changed without notice