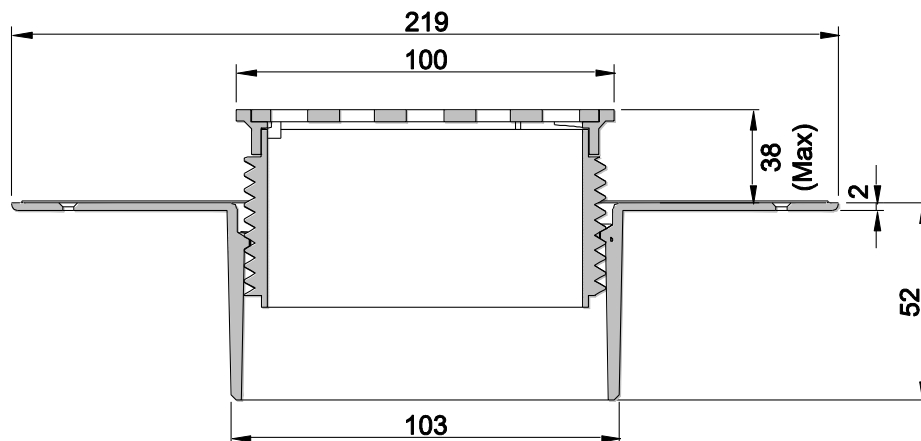
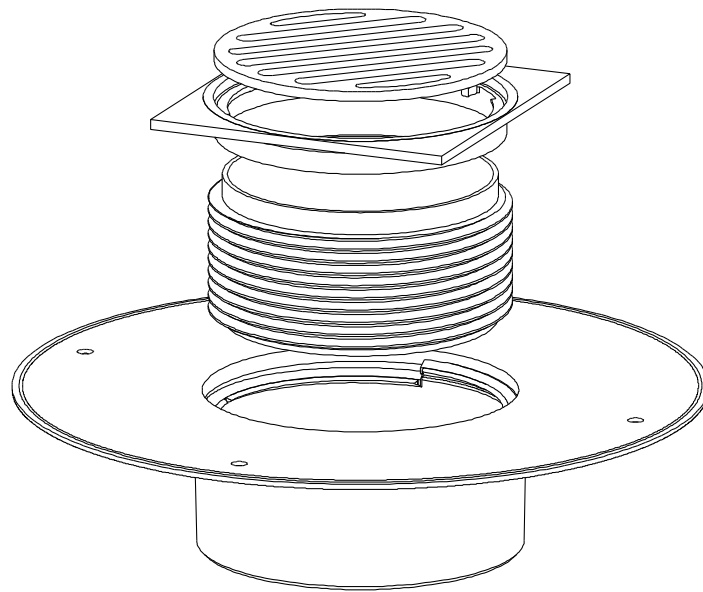


## ALLPROOF INDUSTRIES CYCLONE TILE FLOOR WASTE SYSTEM 100MM TILE FINISH LEAK CONTROL FLANGE AND FLOOR GRATE

Specification Code	Description	Standard Finish
CYC100SC	100mm PVC leak control flange, threaded height adjustable spigot and square floor grate	Square Chrome on Brass
CYC100RC	100mm PVC leak control flange, threaded height adjustable spigot and round floor grate	Round Chrome on Brass



Due to Allproof Industries ongoing product development program product designs may be changed without notice