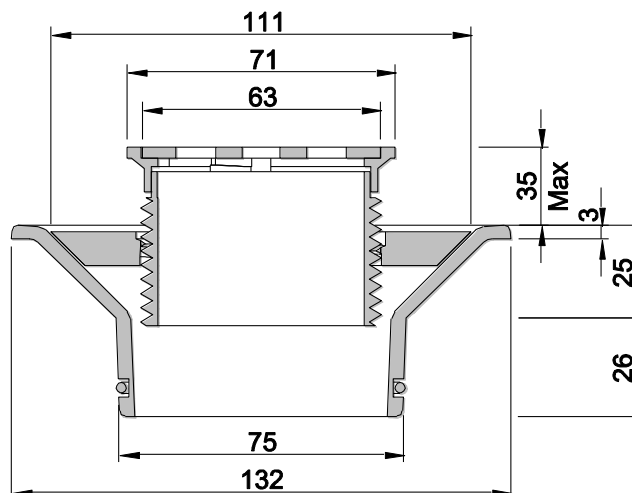
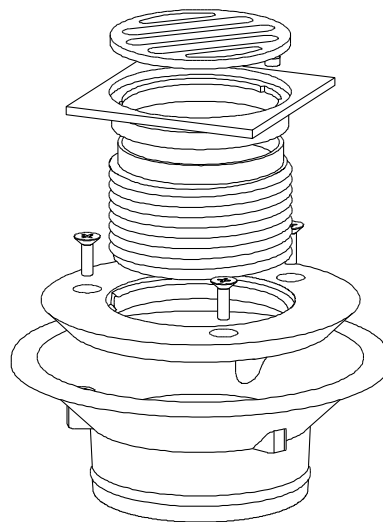


## ALLPROOF INDUSTRIES TILE CLAMP RING SYSTEM 80MM MEMBRANE CLAMP RING LEAK CONTROL FLANGE AND FLOOR GRATE

Specification Code	Description	Standard Finish
168.80CYCTCRSC	80mm Tile waste including Bronze base flange, clamp ring and waste	Chrome on Brass clamp ring and grate



Due to Allproof Industries ongoing product development program product designs may be changed without notice