

Elegance Range

The perfect finishing touch for your new bathroom.



Like many great things, the Elegance Range was born of a desire to make an existing product better. For years Allproof Industries has lead the market with its range of shower wastes. Now a new look with sleek stainless steel construction updates the system for modern bathrooms.

- Resilient and superb finish of Stainless Steel
- Variety of designs and custom options
- Available as complete Tile Shower Waste Kit with 100mm Cyclone Flange
- Also available to suit 80mm or 100mm standard leak control flanges
- Proudly manufactured in New Zealand



CUSTOMISED WITH YOUR LOGO
We can provide the ultimate in custom grates - a personalised engraving with your logo. Just ask us for the details and requirements.



Wire



Globe



Cross



Wave



Quarter



Straight



Diagonal



Plate

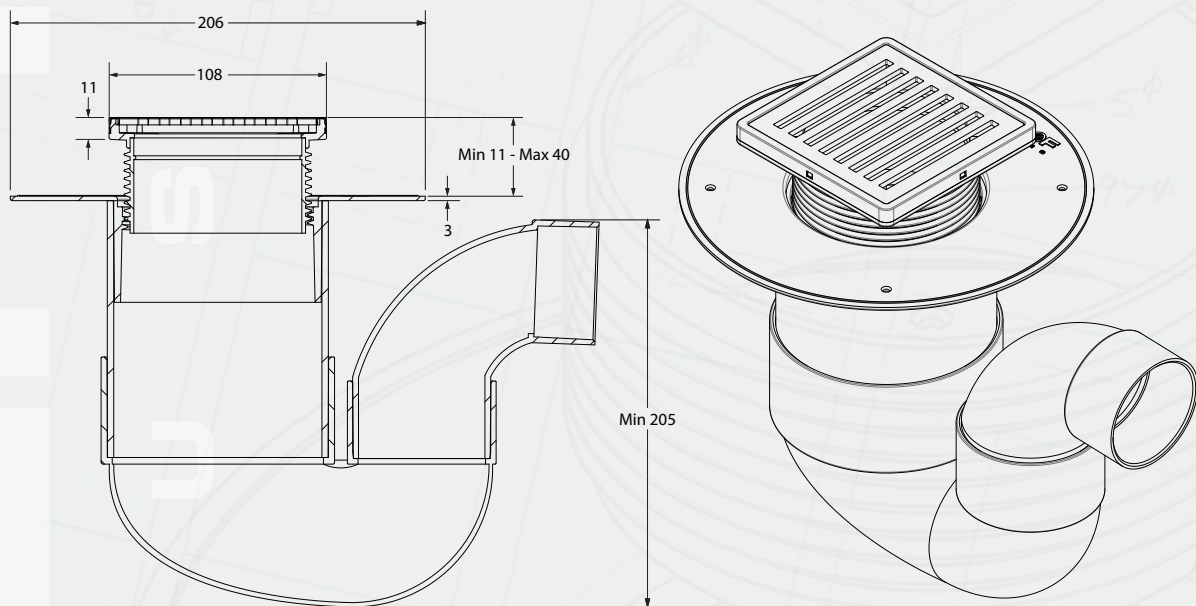
Specifications

The Allproof Shower Waste Kit comes standard in 100mm complete with Elegance grate, Cyclone threaded height adjustable spigot and leak control flange, pipe riser and a 100 x 50mm floor waste gully trap.

Code	Description
TKCYC100SS0	100mm Tile Kit with SS0 Wire Cyclone Grate
TKCYC100SS1	100mm Tile Kit with SS1 Globe Cyclone Grate
TKCYC100SS2	100mm Tile Kit with SS2 Cross Cyclone Grate
TKCYC100SS3	100mm Tile Kit with SS3 Wave Cyclone Grate
TKCYC100SS4	100mm Tile Kit with SS4 Quarter Cyclone Grate
TKCYC100SS5	100mm Tile Kit with SS5 Straight Cyclone Grate
TKCYC100SS6	100mm Tile Kit with SS6 Diagonal Cyclone Grate
TKCYC100SS7	100mm Tile Kit with SS7 Plate Cyclone Grate



Dimensions



Availability

- Tile Shower Waste Kit comes with 100mm Cyclone threaded spigot and flange.
- Elegance grates are also available complete with height adjustable (by cutting) spigot to suit 100mm and 80mm standard leak control flanges.

