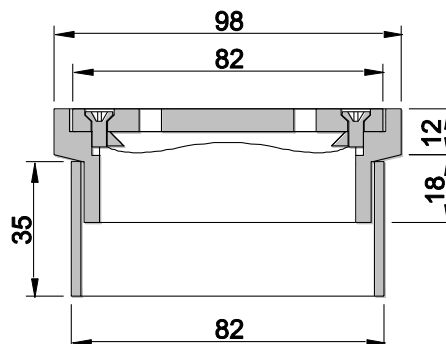
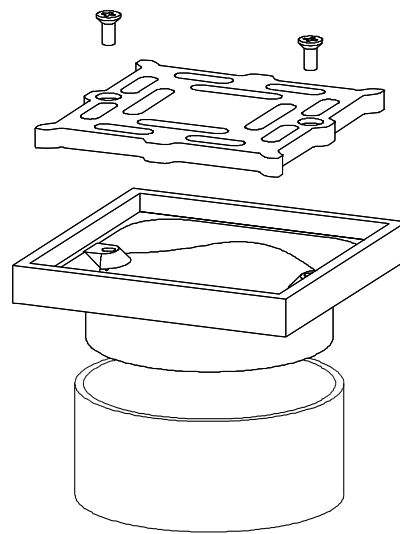


ALLPROOF INDUSTRIES STORM SERIES DRAIN 100MM SQUARE DRAIN WITH 80MM OUTLET

Independent Flow Rate Test (Branz): 66 litres/minute under 25mm head of water

Specification Code	Description	Standard Finish
168.100.80SSS	100mm Square 304 stainless storm drain with 80mm outlet	Stainless Steel
168.100.80SNB	100mm Square nickel bronze storm drain with 80mm outlet	Linished Nickel Bronze
168.100.80SB	100mm Square bronze storm drain with 80mm outlet	Linished Bronze



Due to Allproof Industries ongoing product development program product designs may be changed without notice