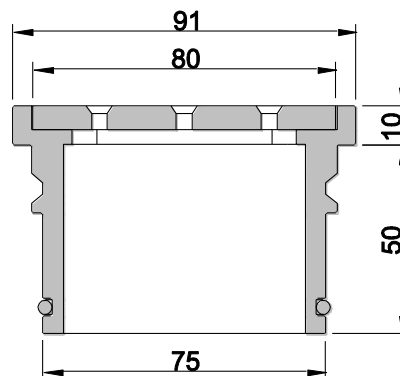
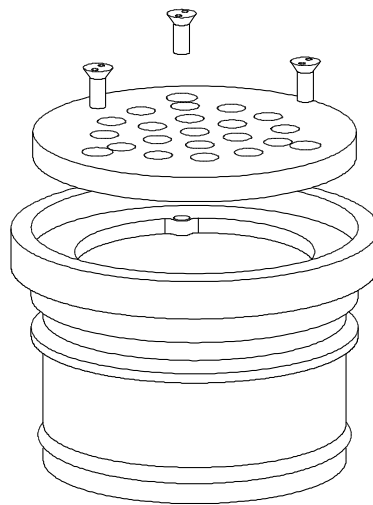


## ALLPROOF INDUSTRIES TAMPERPROOF SECURITY FLOOR DRAIN 80MM FOR CONCRETE FINISH IN HIGH RISK INSTITUTIONAL AREAS

Specification Code	Description	Standard Finish
168.80SECNB	80mm Round security drain	Linished Nickel Bronze
168.80SECB	80mm Round security drain	Linished Bronze



Due to Allproof Industries ongoing product development program product designs may be changed without notice