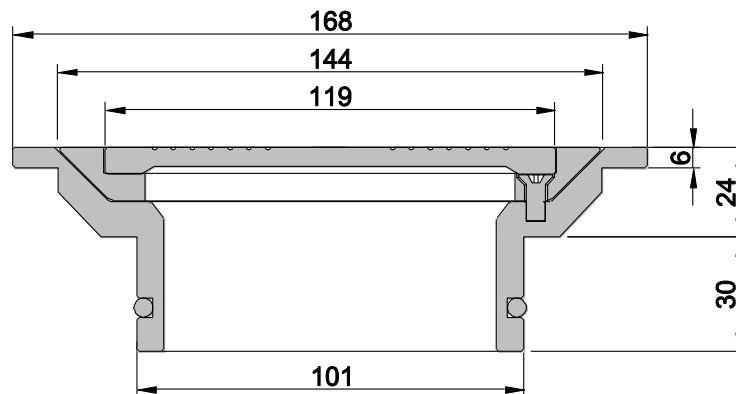
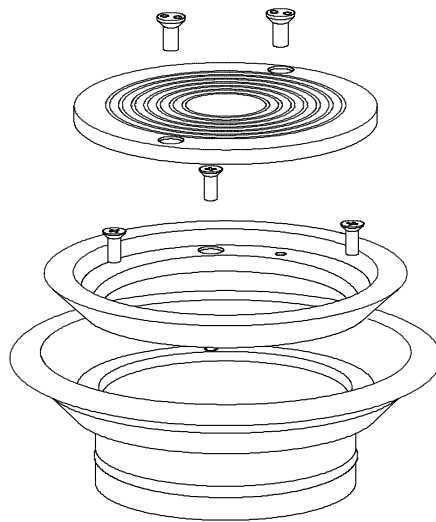


**ALLPROOF INDUSTRIES TAMPERPROOF SECURITY CLEAN OUT
100MM FOR VINYL/MEMBRANE FINISH IN HIGH RISK INSTITUTIONAL AREAS**

Specification Code	Description	Standard Finish
168.100VCO SEC NB	100mm Vinyl Clean Out including bronze base flange, clamp ring and lid with security screws	Machined Nickel Bronze clamp ring and lid



Due to Allproof Industries ongoing product development program product designs may be changed without notice