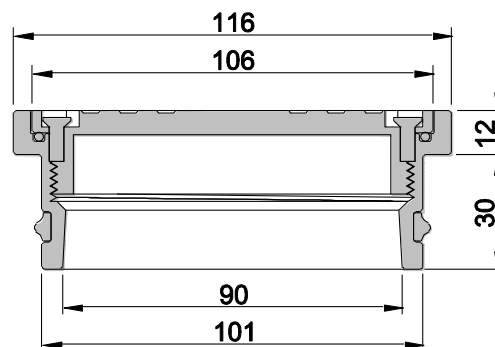
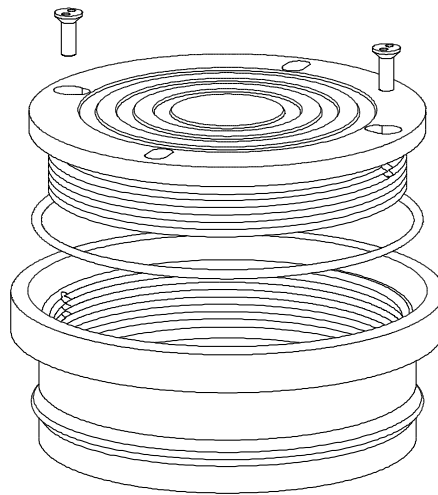


## ALLPROOF INDUSTRIES TAMPERPROOF SECURITY BRONZE CLEAN OUT 100MM CONCRETE/TILE FINISH INSPECTION IN HIGH RISK INSTITUTIONAL AREAS

Specification Code	Description	Standard Finish
168.100BCO SEC NB	100mm nickel bronze clean out including o-ring seal and tamperproof screws	Machined Nickel bronze



Due to Allproof Industries ongoing product development program product designs may be changed without notice